

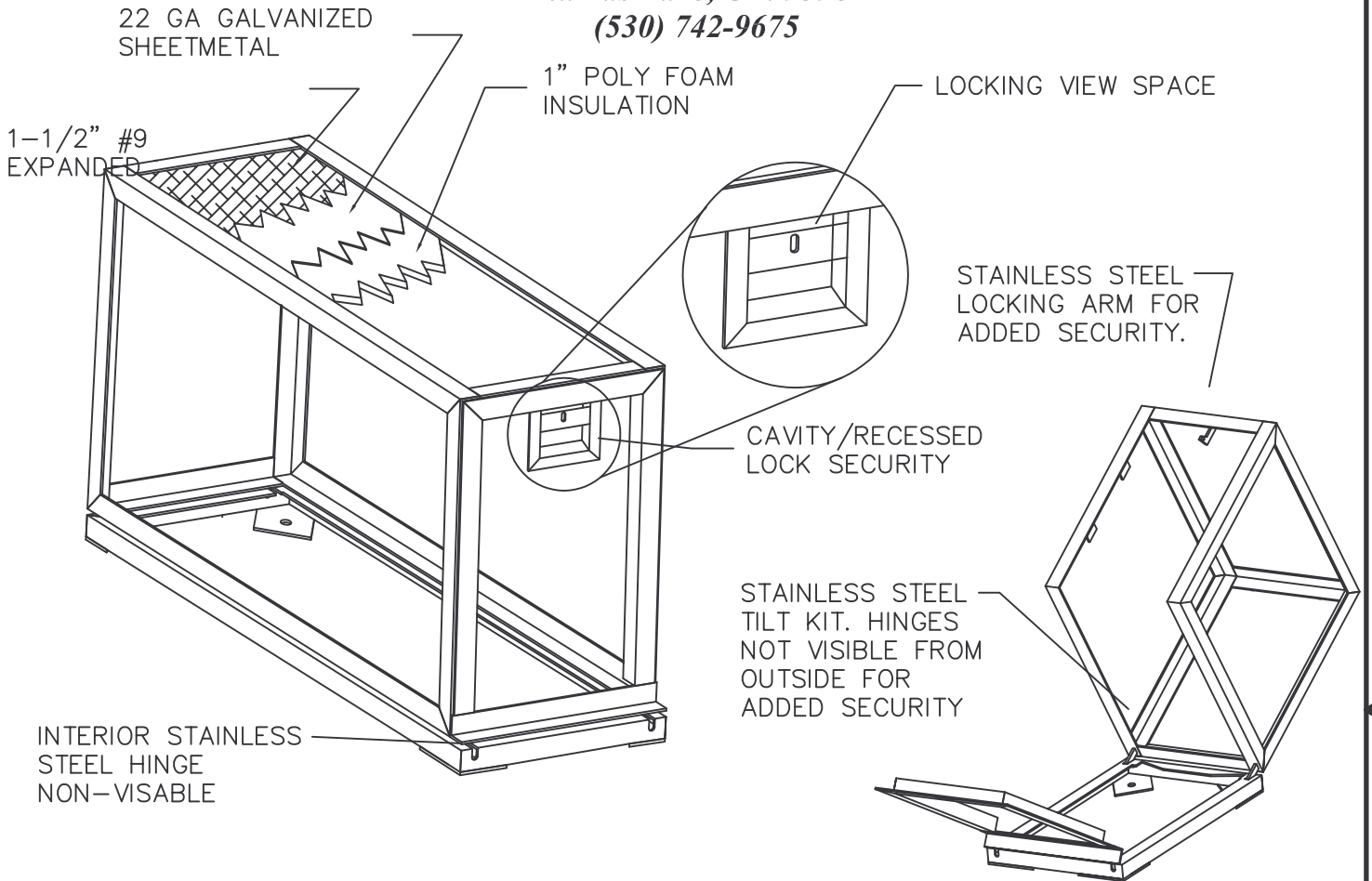
2

1

E1A BACKFLOW ENCLOSURE

Placer Waterworks Inc.

1325 Furneaux Road
Plumas Lake, CA. 95961
(530) 742-9675



NOTES:

1. FRAME MATERIAL IS 1-3/4" X 1-3/4" X 3/16" ANGLE IRON.
2. FOUNDATION FRAME WORK WITH INTERIOR HINGE. 2" X 2" X 1/8"
3. 1-1/2" #9 EXPANDED METAL SCREEN WELDED EVERY 6".
4. FOUR FOUNDATION ANCHOR PLATES 3/8" X 3" X 4".
5. INTER-LOCKING DOOR SYSTEM REQUIRES ONLY 1 LOCK SECURITY.
6. OPTIONAL INSULATED SIDE PANELS COMPOSED OF 1" (R-7) POLY URETHANE (NON-ABSORBANT) FOAM INSULATION, BONDED TO 22 GA. GALVANIZED SHEETMETAL
7. PRIOR TO ASSEMBLY ALL PARTS ARE SAND BLASTED AND THEN POWDER COATED IN A CHOICE OF STANDARD COLORS OF HUNTER GREEN OR TAN. (CUSTOM COLORS AVAILABLE)
8. OPTIONAL RE-BAR EMBED FRAME (DETAIL AVAILABLE)

OPENING & CLOSING CLEARANCE DISTANCE OF INTERIOR PLUMBING IS NOT A CONCERN WITH THIS NEW DESIGN. 100% OF INTERIOR CUBIC FOOTAGE CAN BE UTILIZED.

CAT. #			Length	Width	Height
Enclosure	Insulated	Embed			
PW/E1A(XS)	PW/E1A-W(XS)	PW/E1A-E(XS)	24"	12"	24"
PW/E1A(S)	PW/E1A-W(S)	PW/E1A-E(S)	30"	14"	24"
PW/E1A(M)	PW/E1A-W(M)	PW/E1A-E(M)	40"	17"	30"
PW/E1A(L)	PW/E1A-W(L)	PW/E1A-E(L)	50"	20"	36"

This drawing must be signed and returned to Placer Waterworks Inc. when order is placed and before work is started.

CAT#:PW/E1A-X

10-11-07

2

1