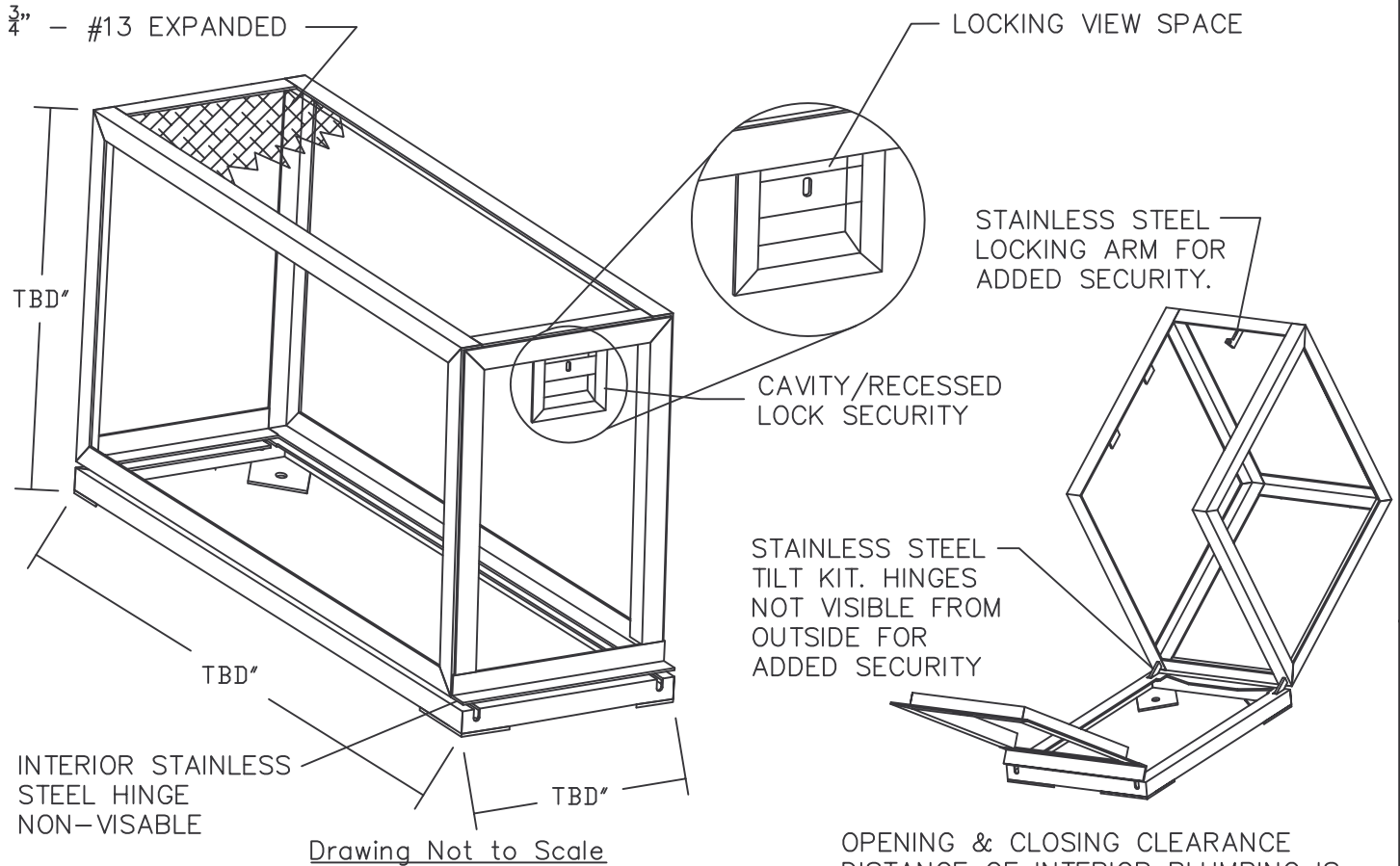


304 Stainless Steel E1A Blackflow Enclosure

Placer Waterworks Inc.

1325 Furneaux Road
 Plumas Lake, CA. 95961
 (530) 742-9675



Drawing Not to Scale

OPENING & CLOSING CLEARANCE
 DISTANCE OF INTERIOR PLUMBING IS
 NOT A CONCERN WITH THIS NEW
 DESIGN. 100% OF INTERIOR CUBIC
 FOOTAGE CAN BE UTILIZED.

NOTES:

1. FRAME MATERIAL IS 1-3/4" X 1-3/4" X 3/16" 304 STAINLESS STEEL ANGLE IRON.
2. FOUNDATION FRAME WORK WITH INTERIOR HINGE. 2" X 2" X 1/8"
3. 3/4" #13 EXPANDED METAL SCREEN WELDED EVERY 6".
4. FOUR FOUNDATION ANCHOR PLATES 3/8" X 3" X 4".
5. INTER-LOCKING DOOR SYSTEM REQUIRES ONLY 1 LOCK SECURITY.
6. PRIOR TO ASSEMBLY ALL PARTS ARE SAND BLASTED AND THEN POWDER COATED IN A CHOICE OF STANDARD COLORS OF HUNTER GREEN OR TAN.
 (CUSTOM COLORS AVAILABLE)
7. OPTIONAL RE-BAR EMBED FRAME (DETAIL AVAILABLE)

This drawing must be signed and returned
 returned to Placer Waterworks Inc. when
 order is placed and before work is started.

CAT#:PW/E1A-C (Custom)

11-09-08