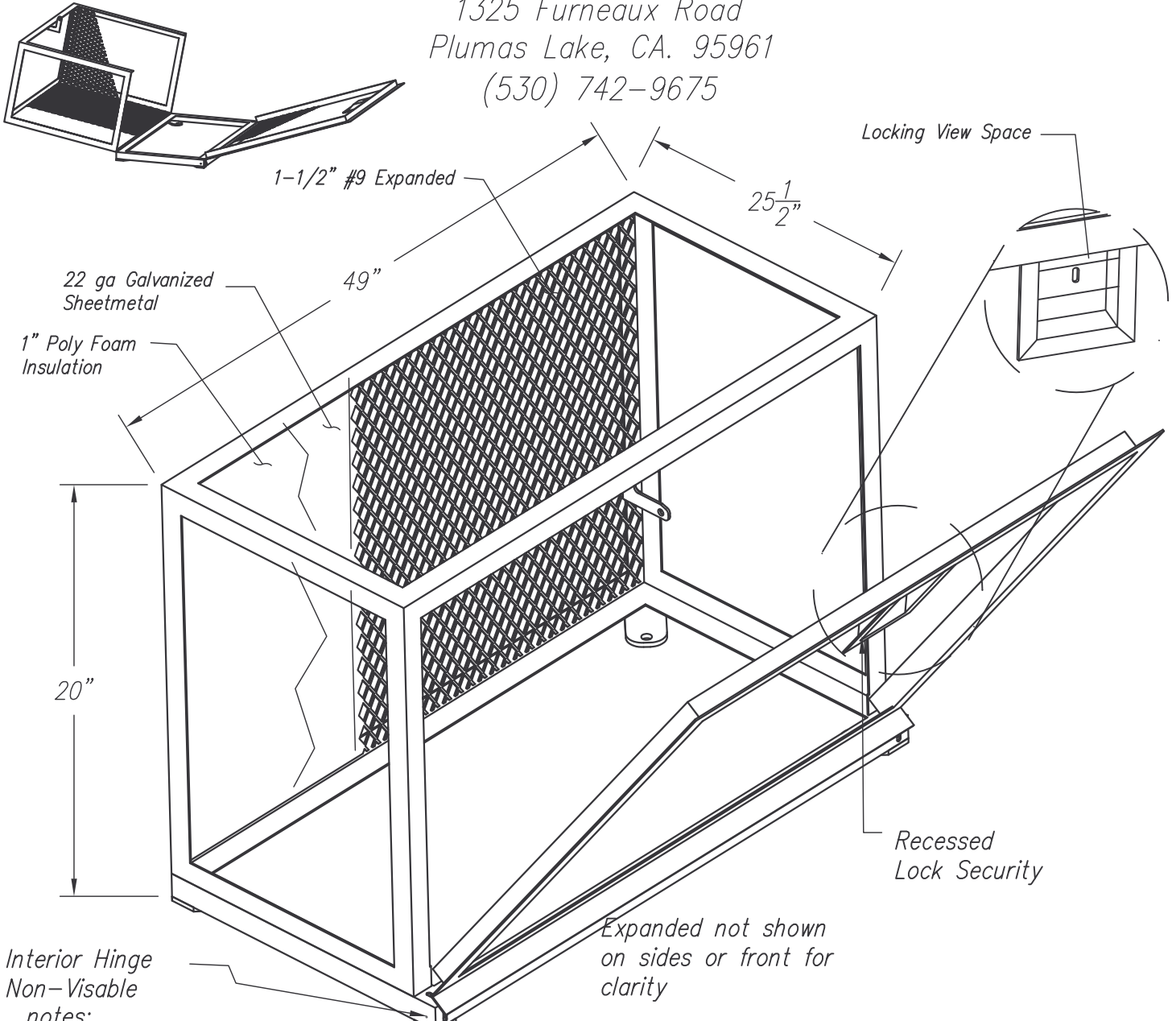


CUSTOM BACKFLOW ENCLOSURE

Placer Waterworks, Inc.
 1325 Furneaux Road
 Plumas Lake, CA. 95961
 (530) 742-9675



Interior Hinge
 Non-Visible
 notes:

1. Frame material is 1-3/4" x 1-3/4" x 3/16" 304 SS angle iron.
2. Foundation Frame work with interior hinge. 2" x 2" x 1/8"
3. 1-1/2" #9 expanded metal screen welded every 6".
4. Four Foundation anchor plates 3/8" x 3" x 4".
5. Inter-Locking door system requires only 1 lock security.
6. Optional Insulated side panels composed of 1" (r-7) poly urethane (non-absorbant) foam insulation, bonded to 22 ga. galvanized sheetmetal
7. Prior to assembly all parts are sand blasted and then powder coated in a choice of standard colors of hunter green or tan. (custom colors available)
8. Optional re-bar embed frame (detail available)

OPENING & CLOSING CLEARANCE
 DISTANCE OF INTERIOR PLUMBING
 IS NOT A CONCERN WITH THIS
 NEW DESIGN. 100% OF INTERIOR
 CUBIC FOOTAGE CAN BE UTILIZED.

CAT# PW/Custom - E1A

X
 This Drawing must be signed and returned
 when order is placed and before any work is
 started.

12-19-08