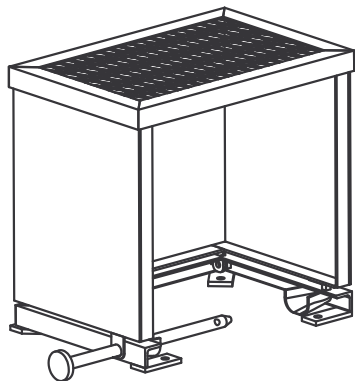


Gas Meter Enclosure

Placer Waterworks Inc.

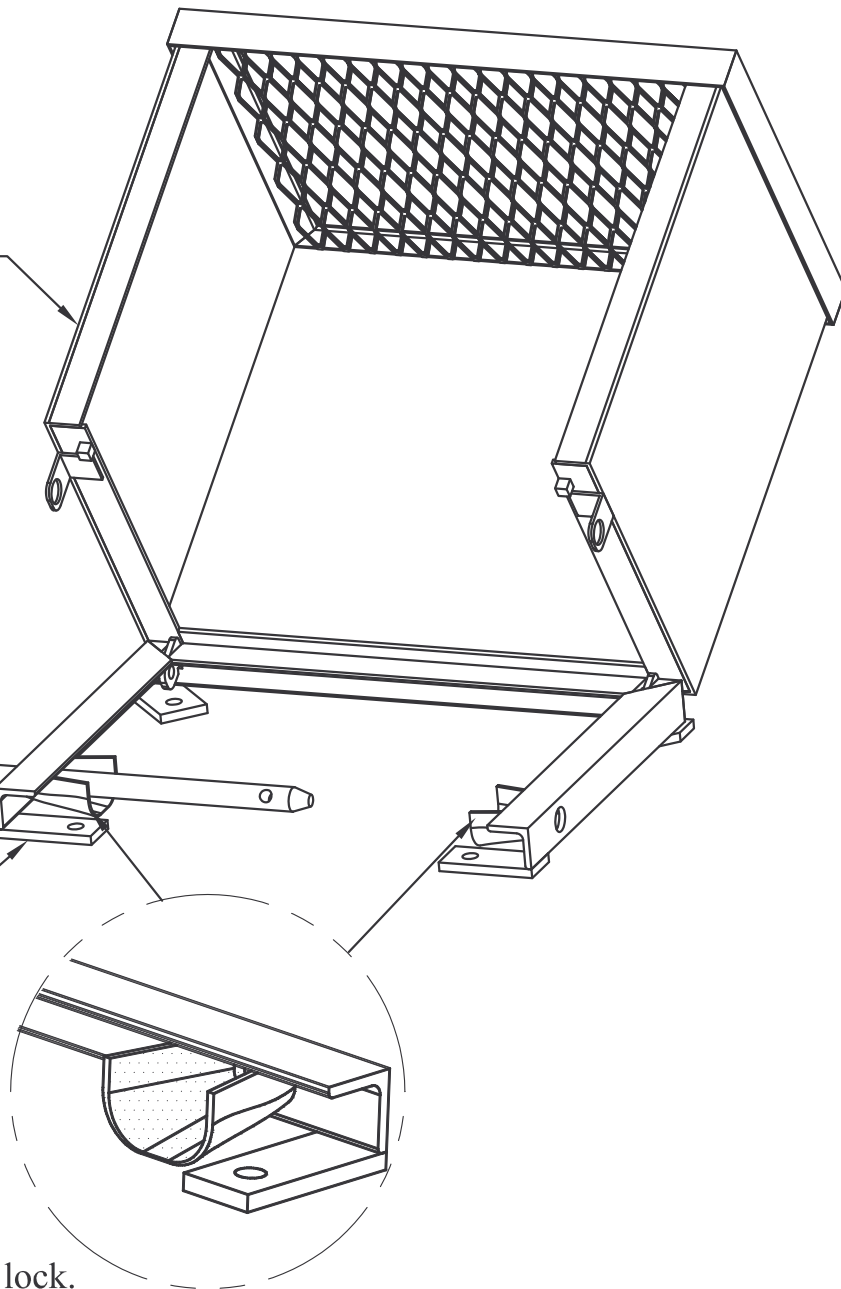
1325 Furneaux Road
 Plumas Lake, CA. 95961
 (530) 742-9675



14 GA. Steel Walls

3/4"Ø Locking Rod

4 - Interior Fastening Locations



- ◆ No Exterior Hinges.
- ◆ Full Access Service Ability.
- ◆ Security provided with one recessed lock.
- ◆ Devran 224HS Catalyzed Ployamide Epoxy Primer (Solids by Volume 75%)
- ◆ Devthane 379 Catalyzed Aliphatic Urethane Finish Top Coat. (63% Solids by Volume)

| CAT. # | Width | Length | Height |
|----------|-------|--------|--------|
| PW/E1A-G | 16 | 24 | 30 |

All Measurements Stated are 'Inside the Enclosure'

*This drawing must be signed and returned
 returned to Placer Waterworks Inc. when
 order is placed and before work is started.*