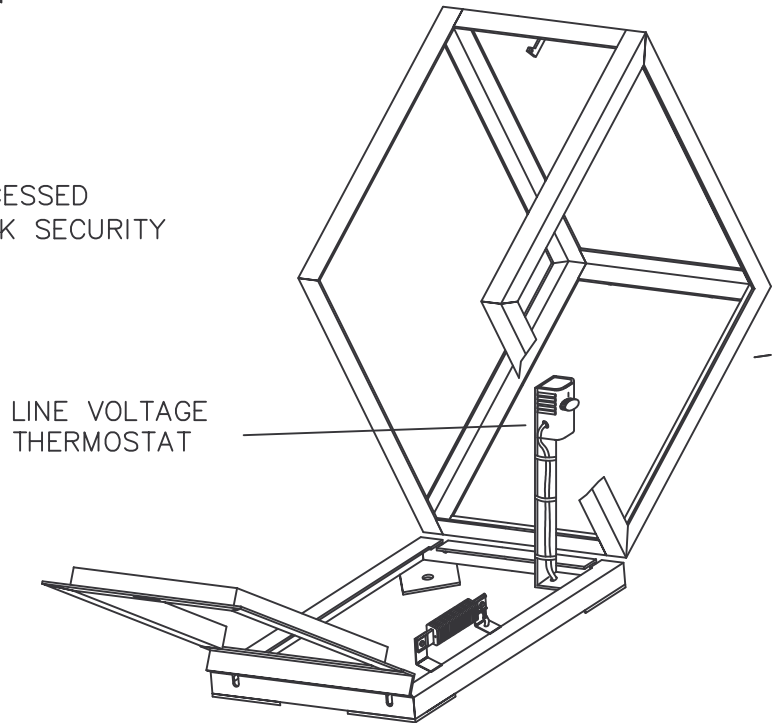
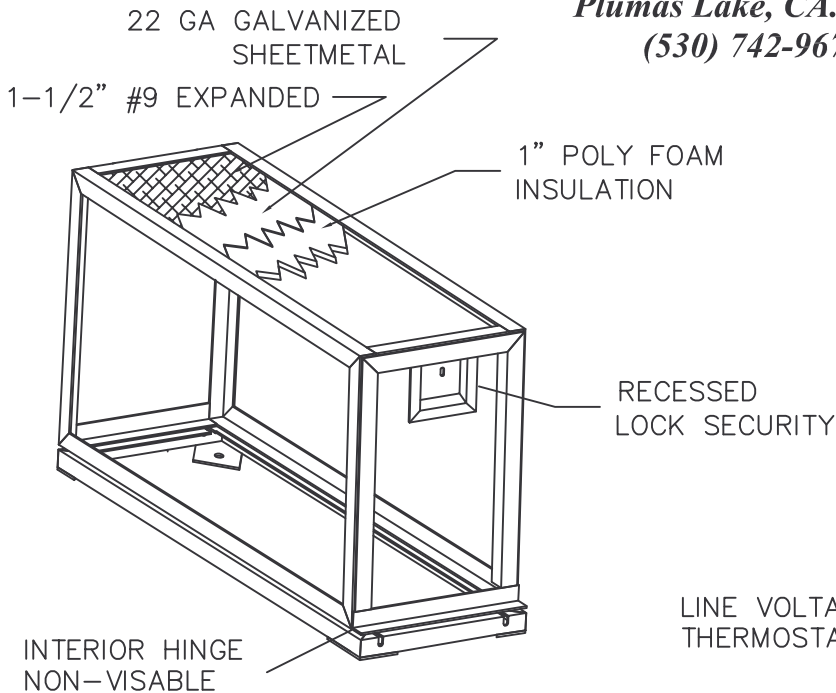


E1A Thermostat Controlled Backflow Enclosure

Placer Waterworks Inc.

1325 Furneaux Road
 Plumas Lake, CA. 95961
 (530) 742-9675



OPENING & CLOSING CLEARANCE
 DISTANCE OF INTERIOR PLUMBING
 IS NOT A CONCERN WITH THIS
 NEW DESIGN. 100% OF INTERIOR
 CUBIC FOOTAGE CAN BE UTILIZED.

CAT. #	Length	Width	Height
PW/E1AWT-XS	24"	12"	24"
PW/E1AWT-S	30"	14"	24"
PW/E1AWT-M	40"	17"	30"
PW/E1AWT-L	50"	20"	36"

NOTES:

1. FRAME MATERIAL IS 1-3/4" X 1-3/4" X 1/8" ANGLE IRON.
2. FOUNDATION FRAME WORK WITH INTERIOR HINGE. 2" X 2" X 1/8"
3. 1-1/2" #9 EXPANDED METAL SCREEN WELDED EVERY 6".
4. FOUR FOUNDATION ANCHOR PLATES 3/8" X 3" X 4".
5. INTER-LOCKING DOOR SYSTEM REQUIRES ONLY 1 LOCK SECURITY.
6. OPTIONAL INSULATED SIDE PANELS COMPOSED OF 1" (R-7) POLY URETHANE (NON-ABSORBANT) FOAM INSULATION, BONDED TO 22 GA. GALVANIZED SHEETMETAL
7. PRIOR TO ASSEMBLY ALL PARTS ARE SCRUBED WITH METAL CLEANER DEVPREP 88 BY DEVOE.
 PRIMER IS DEVTRAN 224HS CATALYZED POLYAMIDE EPOXY (SOLIDS BY VOLUME 75%)
 FINISH IS DEVTHANE 379 CATALYZED ALIPHATIC URETHANE TOP COAT (SOLIDS BY VOLUME 63%)

This drawing must be signed and returned
 returned to Placer Waterworks Inc. when
 order is placed and before work is started.

2

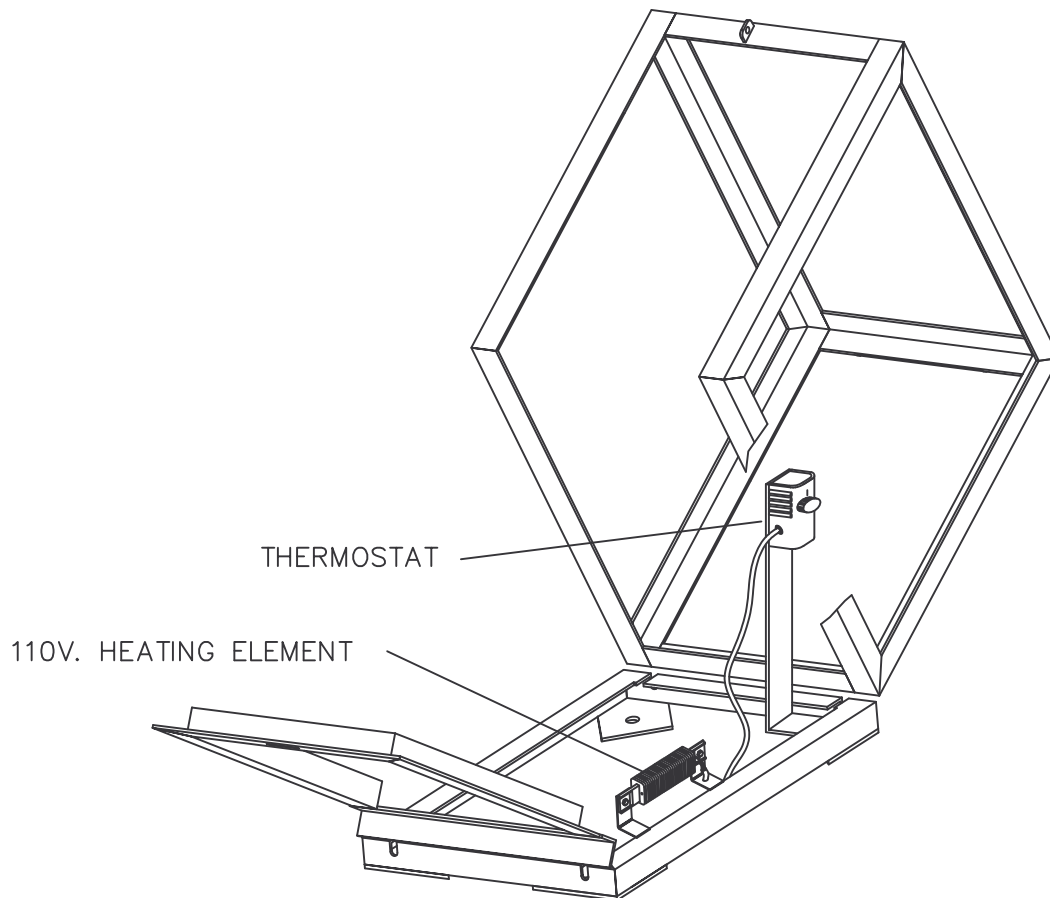


1

E1A Thermostat Controlled Backflow Enclosure

Placer Waterworks Inc.

1325 Furneaux Road
Plumas Lake, CA. 95961
(530) 742-9675



NOTES:

THE UL LISTED LINE VOLTAGE THERMOSTAT HAS A RANGE OF -10 DEGREES TO 100 DEGREES F.

THE BIMETAL SENSING ELEMENT PROVIDES ACCURATE CONTROL FOR HEAT, ASSURING CLOSE TEMPERATURE CONTROL OF APPROXIMATELY 3 DEGREES F. WITHOUT RADIO AND TELEVISION INTERFERENCE. [I.E. SET THE CONTROL AT 35 DEGREES TO COME ON AND IT WILL SHUT OFF AT 38 DEGREES]

THE LINE VOLTAGE THERMOSTAT CAN PROVIDE A MAXIMUM HEAT RANGE POWER SUPPLY OF 22 AMP/125V.

THE THERMOSTAT HOUSING PROVIDES THE JUNCTION BOX FOR FINAL LINE HOOK UP. FLEXIBLE CONDUIT WILL BE NECESSARY TO MAKE THE FINAL HOOKUP BETWEEN THE THERMOSTAT HOUSING AND THE ELECTRICAL CONDUIT LOCATED IN THE CONCRETE FOUNDATION.

This drawing must be signed and returned
returned to Placer Waterworks Inc. when
order is placed and before work is started.

CAT#:PW/E1AWT

Page 2 of 2 12-08-09

2



1