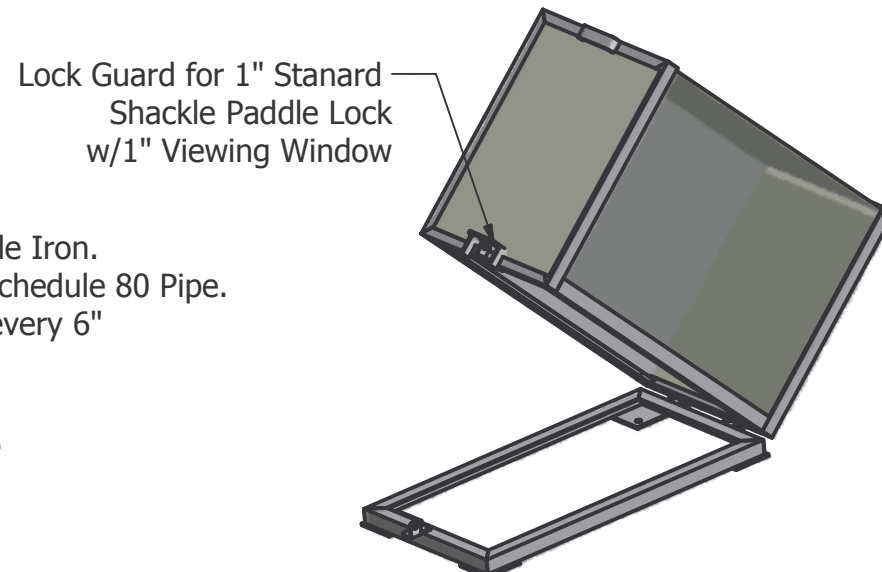
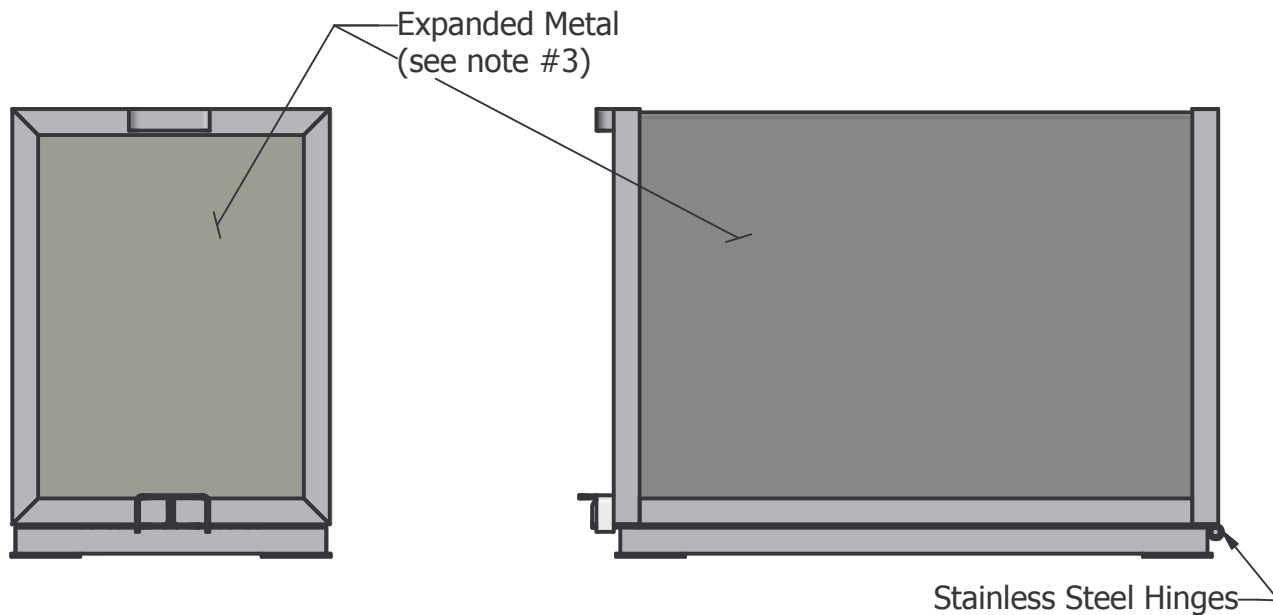


# E1X - Backflow Enclosure Placer Waterworks Inc.

1325 Furneaux Road  
Plumas Lake, CA. 95961  
(530) 742-9675



**NOTES:**

1. Frame material is 1-1/2" x 1-1/2 x 1/8" Angle Iron.
2. Frame Hinge is made from Stainless Steel Schedule 80 Pipe.
3. 1-1/2" #9 Expanded Metal Screen Welded every 6"
4. Four interior Foundation anchor plates.
5. Single Lock Security System.
6. All Parts Powder Coated to 3 mils thickness.
7. Option Re-Bar embed available.
8. Body is Permanently attached to the frame.

- All Dimensions are Inside Measurements -					Maximum Device Size measured at 45°	
CAT#		Length	Width	Height	Length	Height
Enclosure	Embed					
PW/E1X-XS	PW/E1A-E(XS)	25"	13"	27"	17"	19"
PW/E1X-S	PW/E1A-E(S)	31"	15"	25"	21"	23"
PW/E1X-M	PW/E1A-E(M)	41"	18"	31"	28"	30"

\*\*\*Dealers/Installers Responsibility to understand Enclosure Movement Clearances before ordering.\*\*\*  
\*\*Above price does not include concrete embeds\*\*

CAT#:E1X-XS (60 pounds)  
CAT#:E1X-S (70 pounds)  
CAT#:E1X-M (85 pounds)

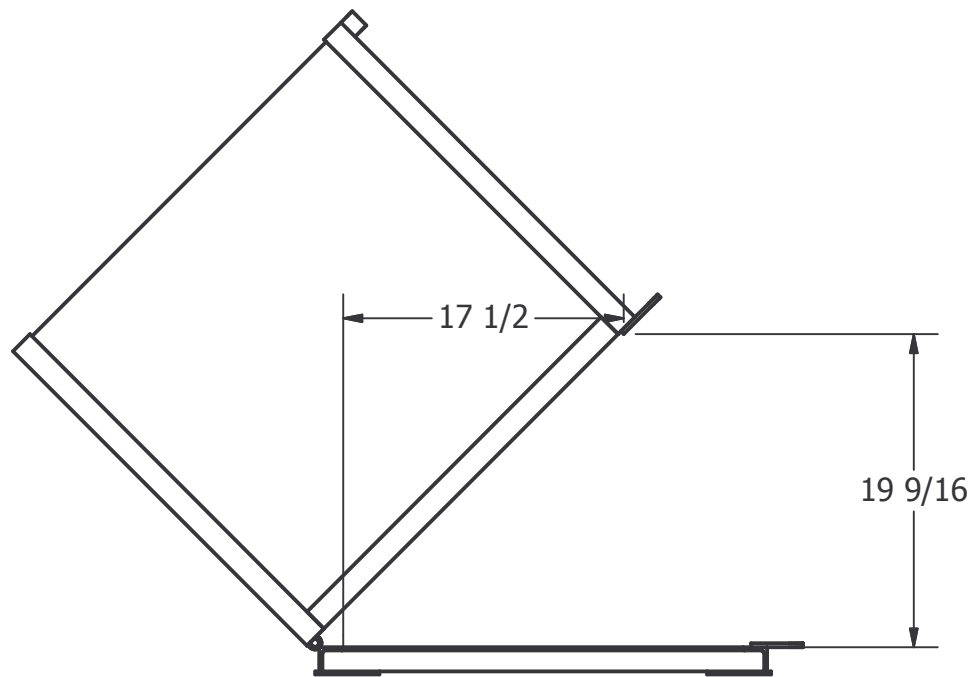


This drawing must be signed and returned  
returned to Placer Waterworks Inc. when  
order is placed and before work is started.  
3/2/2010

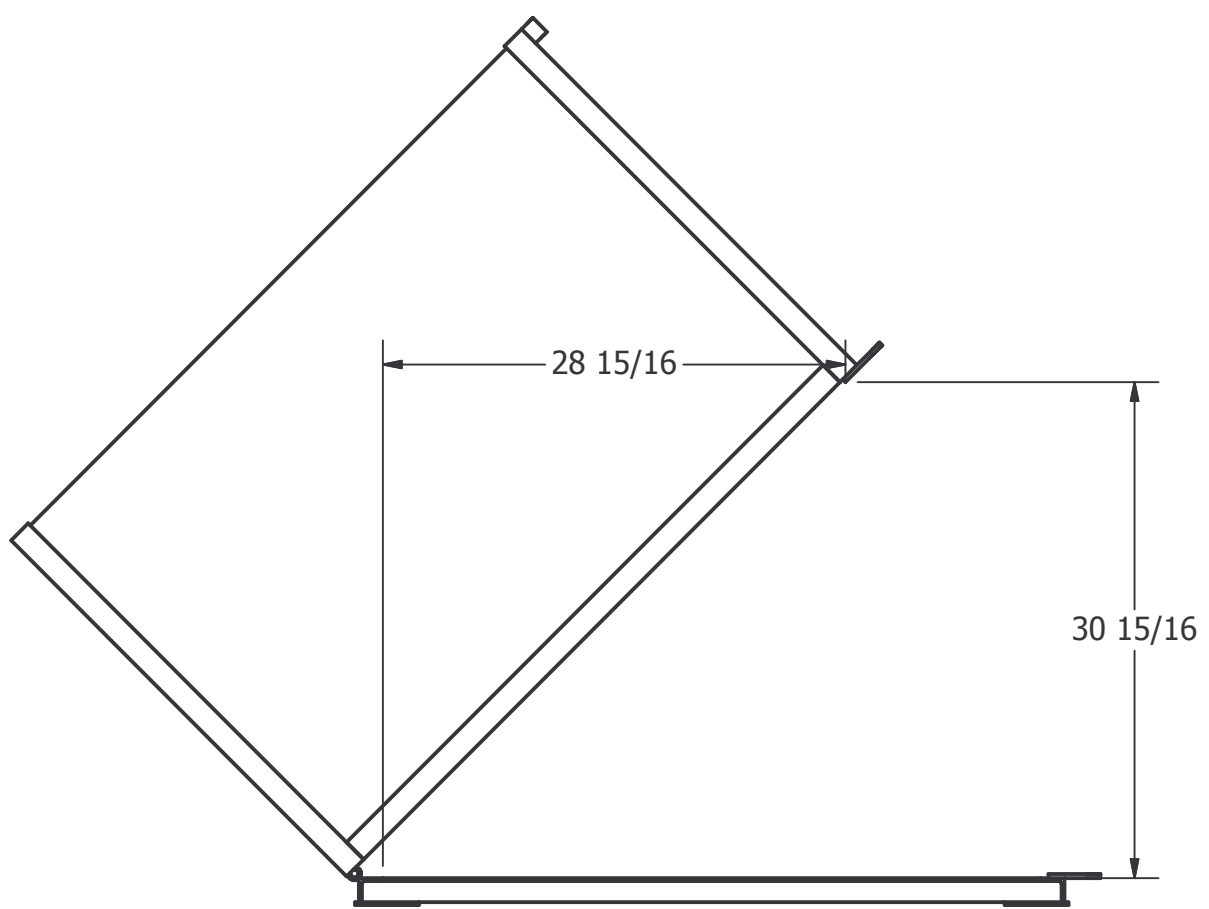
# E1X - Backflow Enclosure

## *Placer Waterworks Inc.*

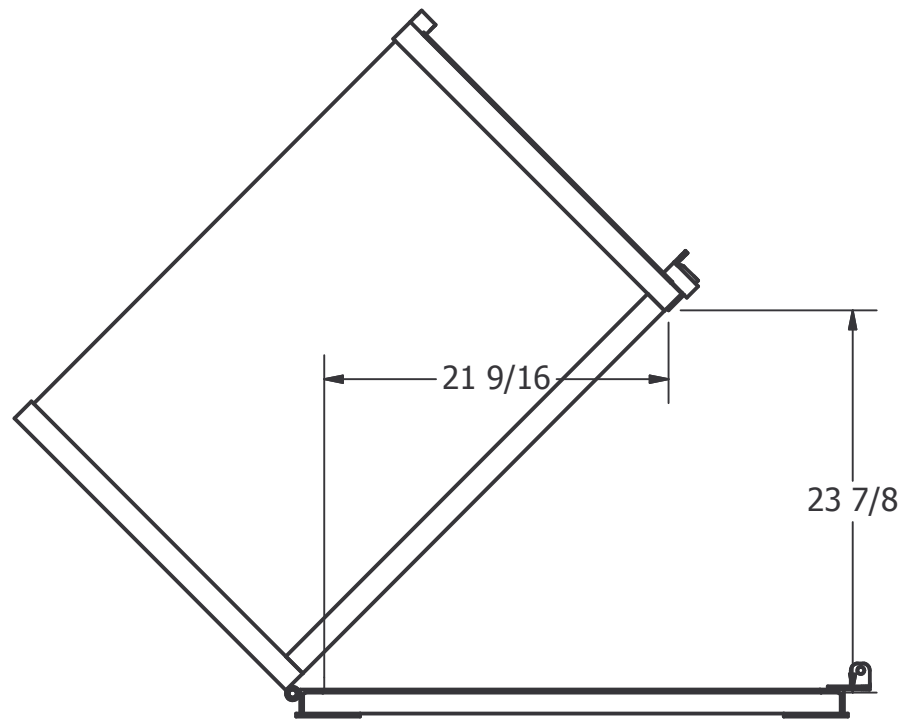
1325 Furneaux Road  
 Plumas Lake, CA. 95961  
 (530) 742-9675



E1X-XS (Extra Small) Enclosure



E1X-M (Medium) Enclosure



E1X-S (Small) Enclosure

CAT#:E1X-XS (60 pounds)  
 CAT#:E1X-S (70 pounds)  
 CAT#:E1X-M (85 pounds)

This drawing must be signed and returned  
 returned to Placer Waterworks Inc. when  
 order is placed and before work is started.  
 3/2/2010