

CLAM SHELL

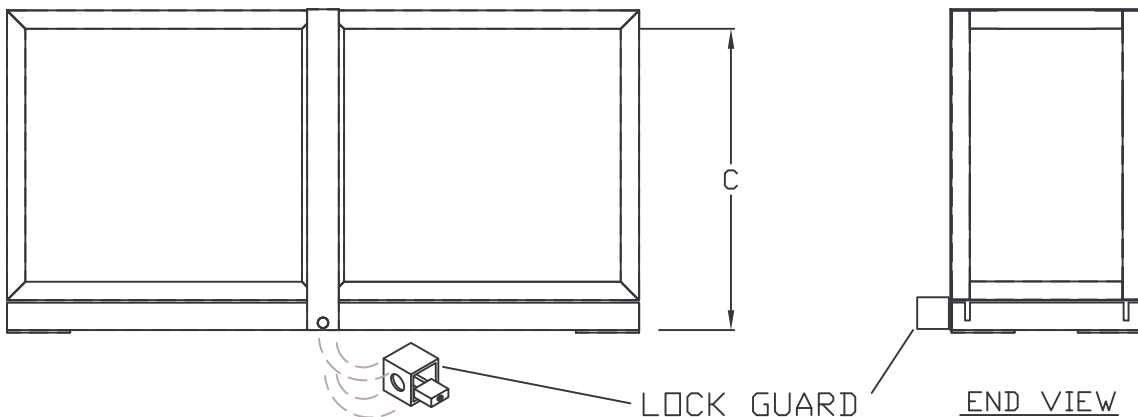
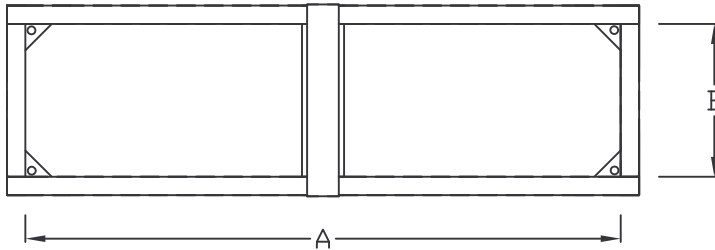
*Placer Waterworks Inc.
1325 Furneaux Road
Plumas Lake, CA. 95961
(530) 742-9675*

NOTES,

1. Frame material is 1-3/4" x 1-3/4" x 3/16" angle iron.
2. Foundation Frame work with interior hinge, 2" x 2" x 1/8".
3. 1-1/2" #9 Expanded metal screen welded every 6".
4. Foundation anchor plate 1/4" with 3/4" hole
5. All parts Powder Coated to 3mils thickness.
6. Interlocking door system requires only 1 lock security
7. Optional Insulated side panels composed of 1" (R-7) Poly Foam Insulation, fastened to 22 Ga Galvanized sheetmetal.
8. All Welding done per AWA Specifications.

CAT. #	Dim "A"	Dim "B"	Dim "C"
PW/E2A-S	60"	14"	30"
PW/E2A-M	72"	24"	48"
PW/E2A-L	84"	30"	60"

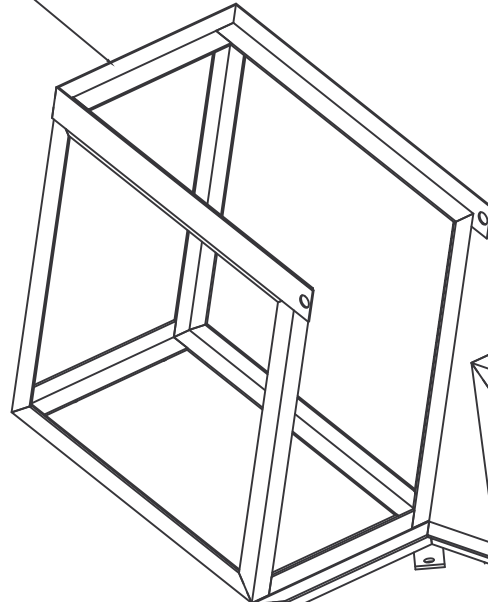
TOP VIEW



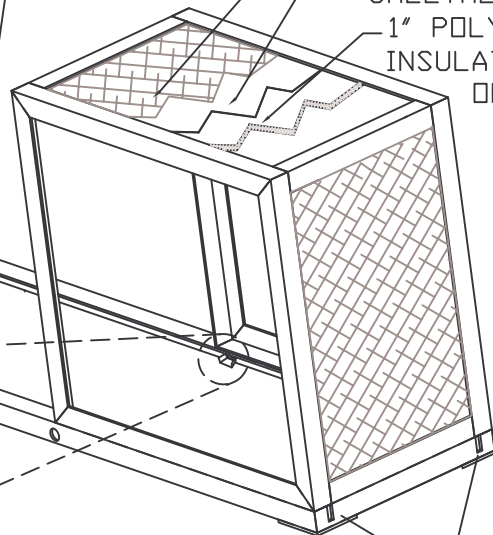
CLAM SHELL

Placer Waterworks Inc.
1325 Furneaux Road
Plumas Lake, CA. 95961
(530) 742-9675

10 GA X 3" WIDE
STEEL OVERLAPPING
LOCKING SURFACE

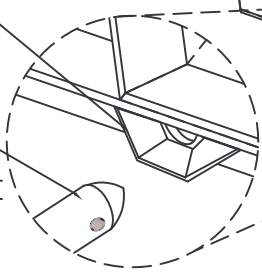


1-1/2" #9 EXPANDED
22 GA GALVANIZED
SHEETMETAL
1" POLY FOAM
INSULATION
OPTIONAL



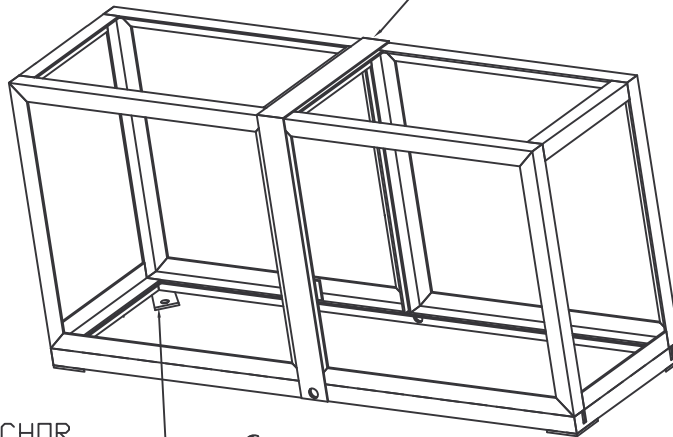
GUIDE FOR
LOCKING BAR

3/4" DIA. LOCKING
BAR FASTENS THE
10 GA. STEEL TO THE
2" X 2" ANGLE IRON BASE
AT BOTH THE FRONT AND
BACK OF ENCLOSURE

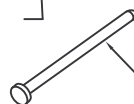


INTERIOR HINGE
NON-VISIBLE

10 GA X 3" WIDE STEEL
OVERLAPPING LOCKING SURFACE



FOUNDATION ANCHOR
3/8" X 3" X 5" WITH
5/8" HOLE



3/4" DIA. LOCKING BAR

CAT# PW/E2A

12-03-08