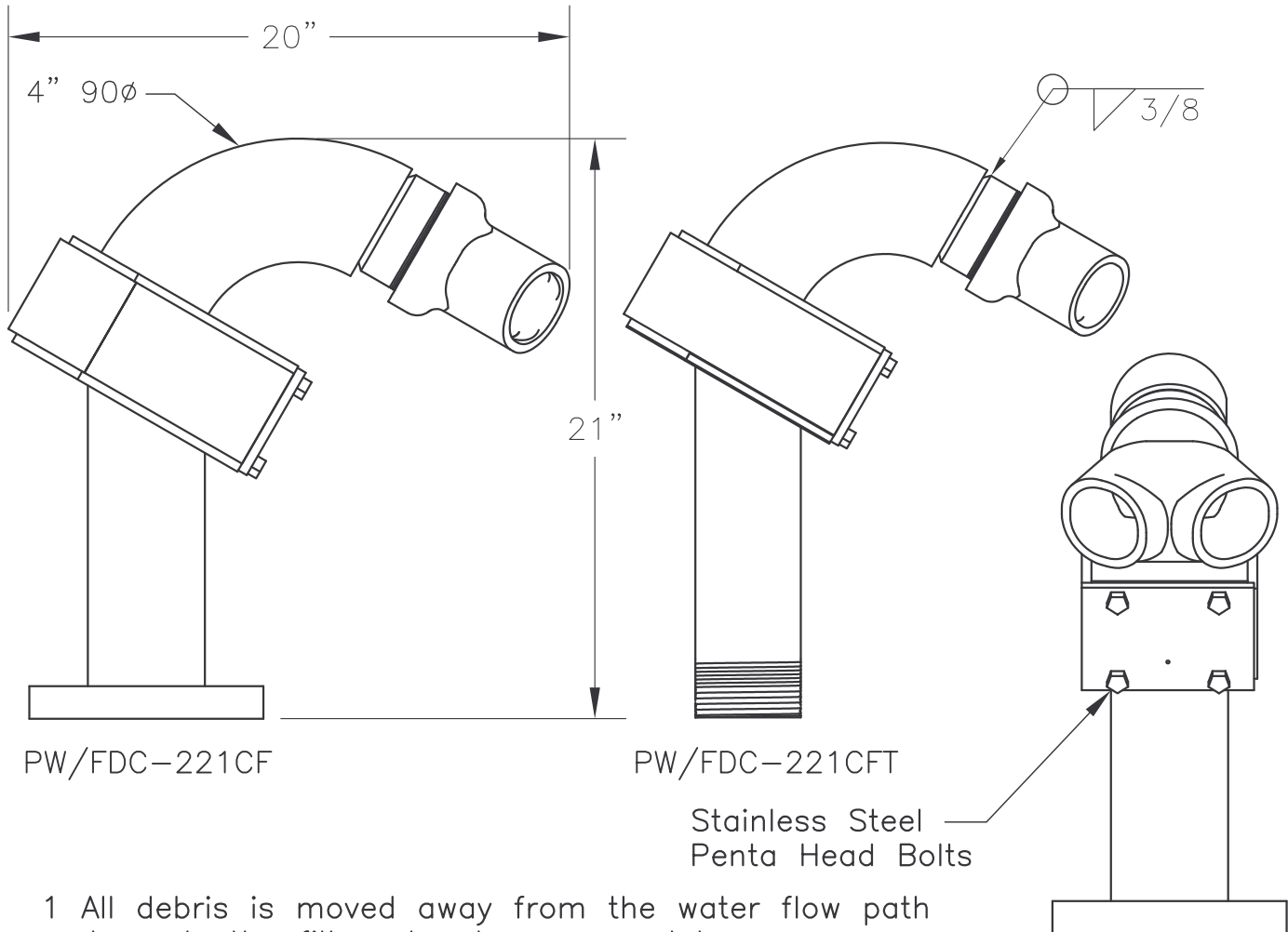


2 Port Fire Department Connection W/Filter

Placer Waterworks, Inc.
9522 Antelope Oaks Court
Roseville, CA 95747
(916) 773-2959



- 1 All debris is moved away from the water flow path towards the filter chamber cover plate.
 - 2 Checkmate® F.D.C. eliminates all debris $\frac{1}{8}$ " in diameter and larger.
 - 3 Fire Truck discharge pressures of 130 psig at 1600 rpm resulted in 680 gpm measure by a pitot tube instrument on 6-14-2005
 - 4 Interior epoxy coatings provide corrosion protection to all surfaces where fluids are standing.
 - 5 The Chamber consists of two individual filter screens: one permanent; one removable stainless steel filter.
 - 6 Filter chamber holds a minimum of 64 cubic inches of debris, outside the flow pathway.
 - 7 The filter chamber walls are constructed with $\frac{3}{8}$ " thick stainless steel.
 - 8 Completely Assembled Weighs 68lbs.
 - 9 Even a tennis Ball will Fall to the ground when cover plate is removed.
- * Exterior Corrosion Protection 2 part epoxy (75% Solids by volume) with Top Coat 2 part epoxy Aliphatic Urethane (63% Solids by Volume)