

2



1

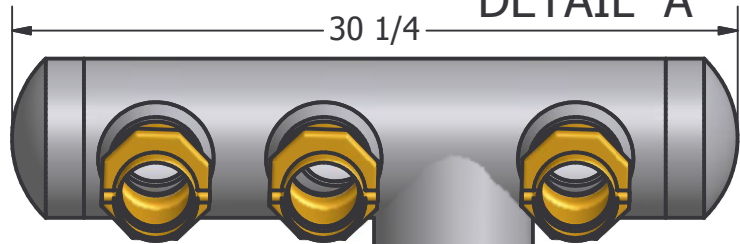
CheckMate® 3 Port Fire Department Connection *Placer Waterworks Inc.*

1325 Furneaux Road
Plumas Lake, CA. 95961
(530) 742-9675



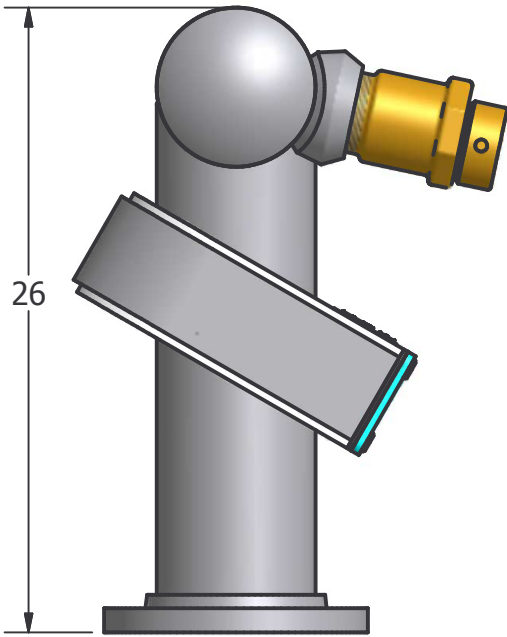
DETAIL A

30 1/4



B

B



26



8" Wide Filter Housing
Holds Minimum of 144
cubic inches of debris,
out side the flow
pathway.

6" Sch 40 Pipe

A

6" Sch 40 Pipe

4

Brass Clapper Snoots  Listed Number 166Y
BY GIACOMINI

NOTE:

1. All horizontal & vertical pipe is 6" A53 Schedule 40 Black Type.
2. All Welding done per AWS Specifications
3. 3" Weld-O-Lets placed at 12° downward position to assist hook-up performance to the Brass Clapper Snoots with 2-1/2" female swivel connection.
4. Above UL information is for "Brass Clapper Snoots" only.
5. Primer is Devran 224HS catalyzed Polyamide Epoxy (Solids by Volume 75%)
6. Finish is Devthane 379 Catalyzed Aliphatic Urethane top coat (Solids by volume 63%)
7. Checkmate® FDC's are designed to keep up to 144 Cubic inches of debris away from the passage way of high pressure water flow.
8. Fire Truck discharge pressure of 110 PSIG. at 1500 RPM resulted in a 900 GPM measure by a pitot tube instrument on 06-15-2005.

This drawing must be signed and returned
returned to Placer Waterworks Inc. when
order is placed and before work is started.

6/1/2010

CAT#:FDC326CF

2



1

A

A