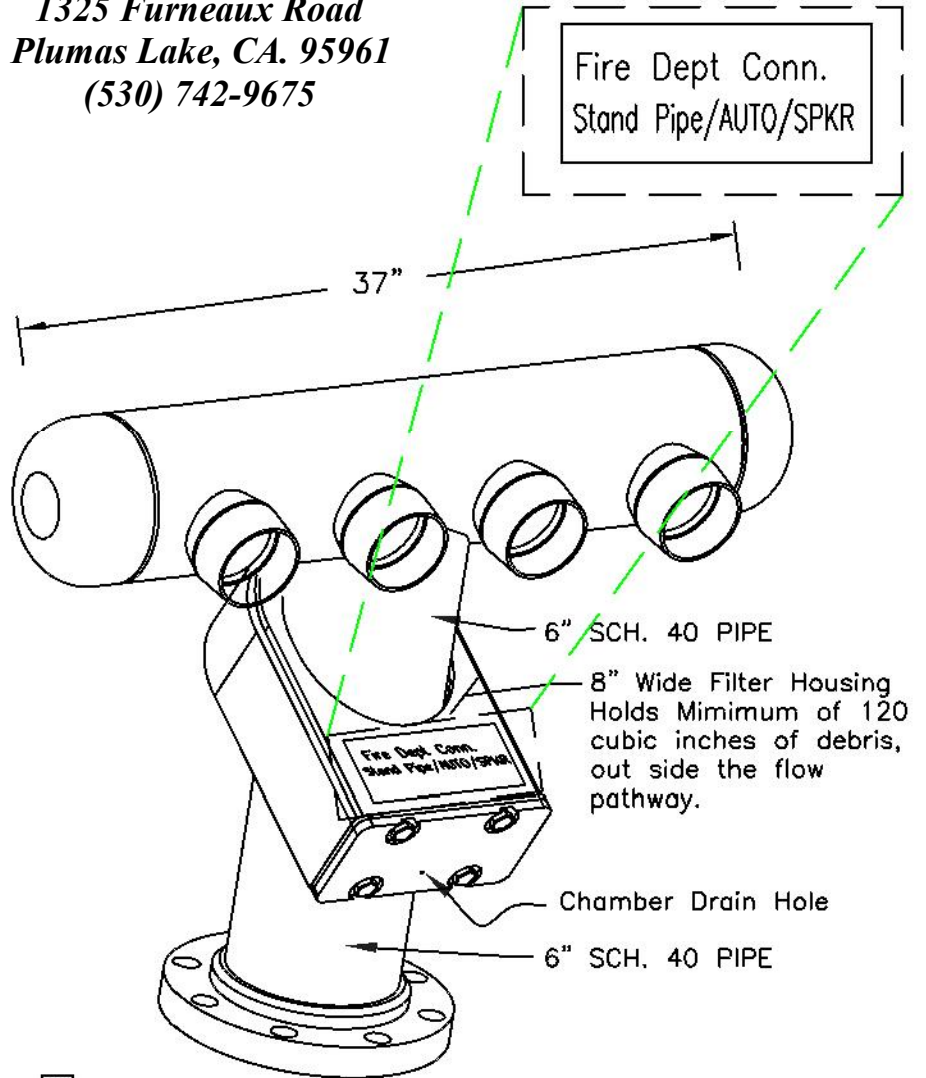
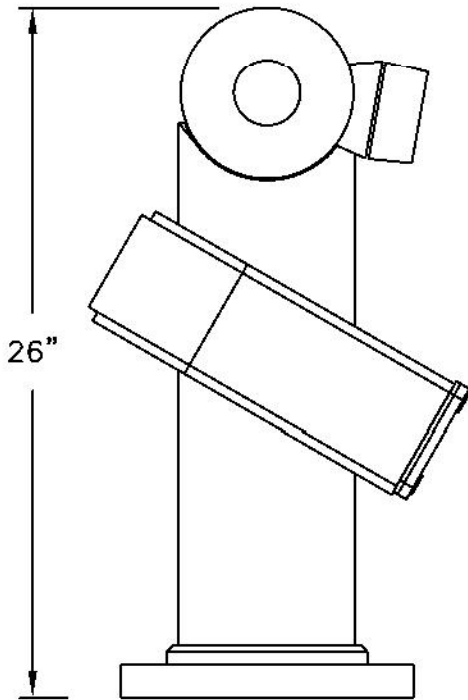


CheckMate® 4 Port Fire Department Connection Placer Waterworks Inc.

1325 Furneaux Road
Plumas Lake, CA. 95961
(530) 742-9675



4

Brass Clapper Snoots  Listed Number 166Y
BY GIACOMINI

- NOTE:
1. ALL HORIZONTAL & VERTICAL PIPE IS 6" A-53, SCHEDULE 40 BLACK TYPE.
 2. ALL WELDING DONE PER AWS SPECIFICATIONS
 3. 3" WELD-O-LETS PLACED AT 12° DOWNWARDS POSITION TO ASSIST HOOK-UP PERFORMANCE TO THE BRASS CLAPPER SNOOTS WITH 2-1/2" FEMALE SWIVEL CONNECTION.
 4. ABOVE UL INFORMATION IS FOR "BRASS CLAPPER SNOOTS" ONLY.
 5. PRIMER IS DEVTRAN 224HS CATALYZED POLYAMIDE EPOXY (SOLIDS BY VOLUME 75%)
 6. FINISH IS DEVTHANE 379 CATALYZED ALIPHATIC URETHANE TOP COAT (SOLIDS BY VOLUME 63%)
 7. CheckMate® FDC's ARE DESIGNED TO KEEP UP TO 144 CUBIC INCHES OF DEBRIS AWAY FROM THE PASSAGE WAY OF HIGH PRESSURE WATER FLOW.
 8. FIRE TRUCK DISCHARGE PRESSURE OF 110 PSIG AT 1500 RPM RESULTED IN A 900 GPM MEASURE BY A PITOT TUBE INSTRUMENT ON 06-15-2005.

CAT#:PW/FDC426CF



This drawing must be signed and returned returned to
Placer Waterworks Inc. when order is placed and before work is started.

08-18-09