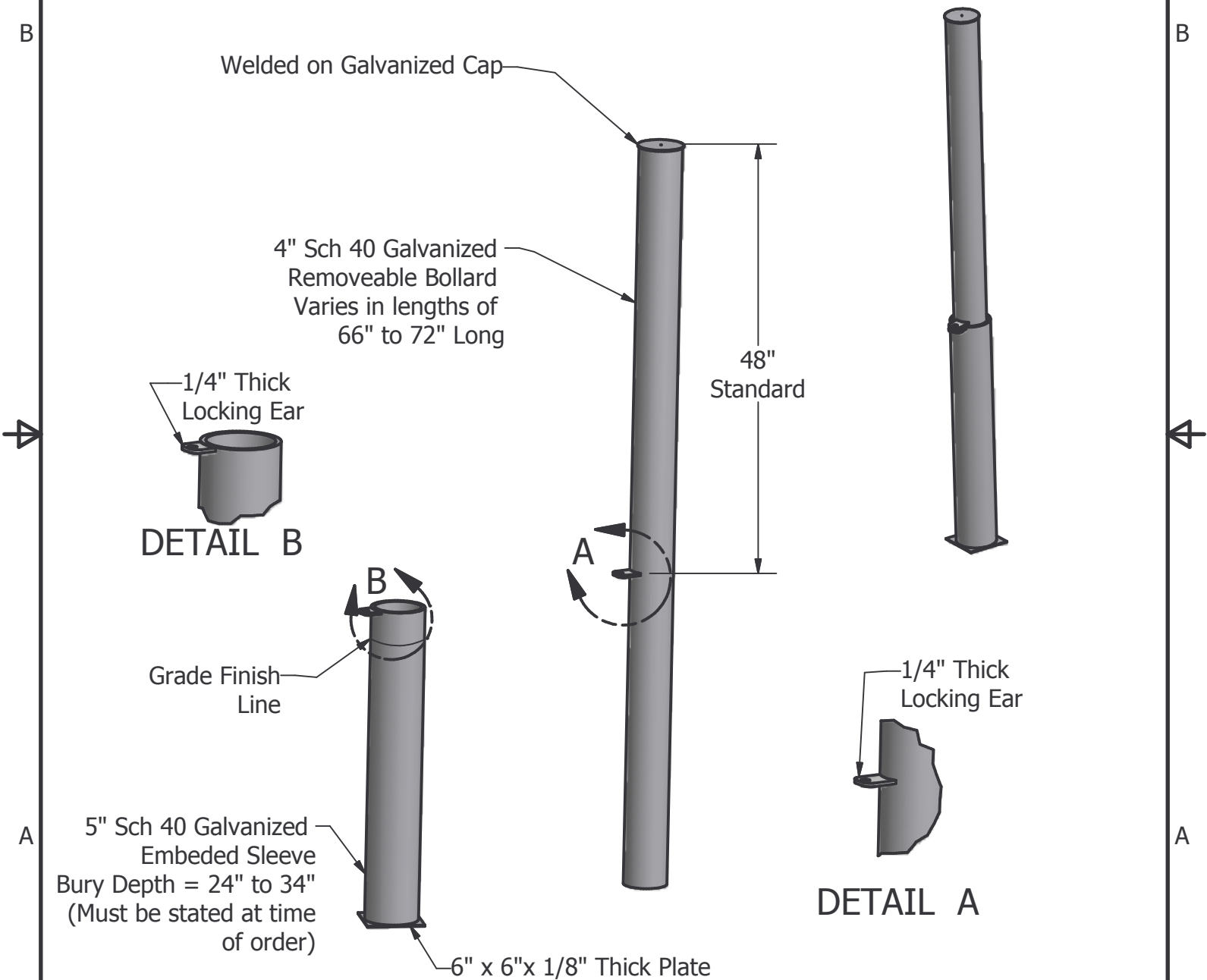


2 1

PG&E REMOVEABLE BOLLARD

Placer Waterworks Inc.

1325 Furneaux Road
Plumas Lake, CA. 95961
(530) 742-9675



A

NOTE:

1. All Welding done per AWS Specifications.

This drawing must be signed and returned to Placer Waterworks Inc. when order is placed and before work is started.

6/25/2010

CAT#:Custom:BRL-PGE

2 1