

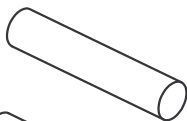
# COLLAPSIBLE BOLLARD

*Placer Waterworks Inc.*

1325 Furneaux Road  
Plumas Lake, CA. 95961  
(530) 742-9675

All Bars  $\frac{3}{4}$ " Stainless Steel

Pivot Bar

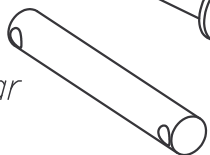


Lock Bar



Double Lock Bar

(Optional)

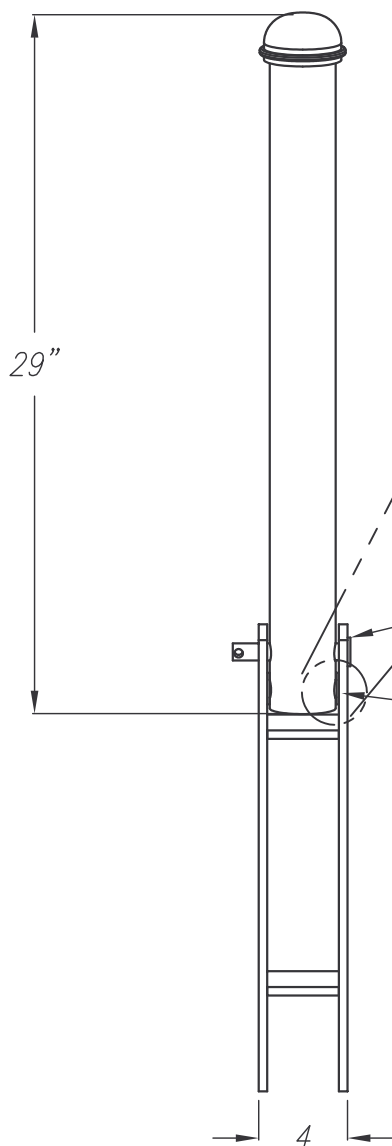


Welded Cap

$2\frac{1}{2}$  Sched.

40 Pipe  $2\frac{7}{8}$  O.D.

$\frac{3}{8}$ " x 4" Flat Bar



Both Pivot and Locking Bar  $\frac{3}{4}$ "

Spacer

Locking Bar

Pivot Bar w/  $\frac{1}{8}$ " Spacer Washers Each Side

30"

\* When collapsed overall height is less than 5"

\* When locked upright Height is 30"

\* If Painted Galvanized Pipe is Etched Then Coated w/Urethane Coating. Standard Color Yellow.

20"

This drawing must be signed and returned to Placer Waterworks Inc. when order is placed and before work is started.

CAT#: PW/CGP-2

2-19-07