

# COLLAPSIBLE BOLLARD

*Placer Waterworks Inc.*

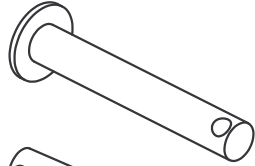
1325 Furneaux Road  
Plumas Lake, CA. 95961  
(530) 742-9675

All Bars  $\frac{3}{4}$ " Stainless Steel

Pivot Bar



Lock Bar



Double Lock Bar  
(optional)

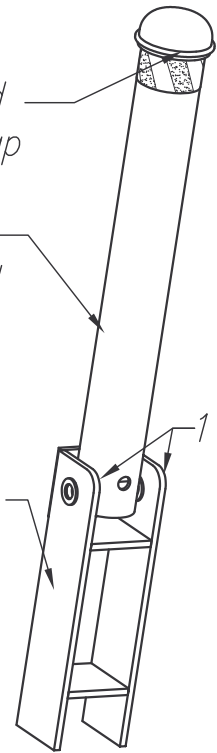


Galvanized  
Welded Cap

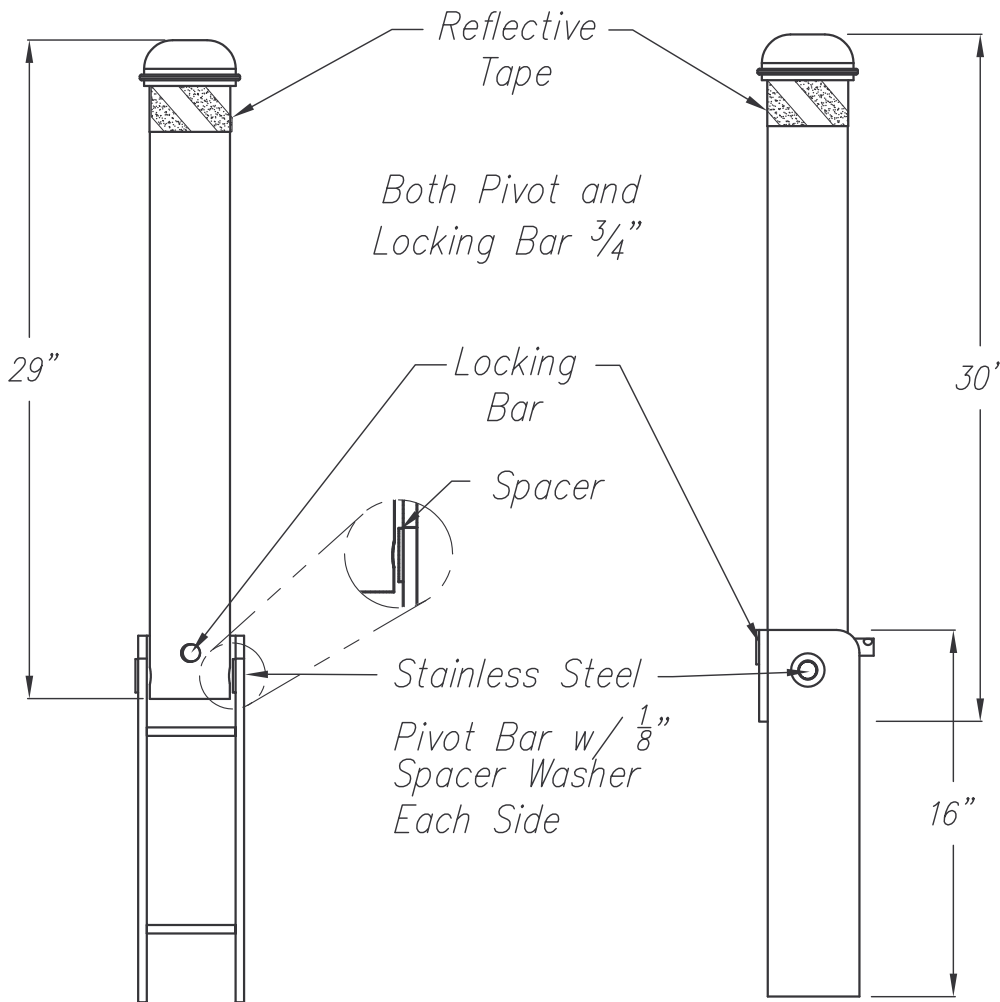
3" Sched.  
40 Galvanized  
Pipe  $3\frac{1}{2}$ " O.D.

1" Radius

$\frac{3}{8}$ " x 4" Flat Bar



Weight 40lbs.



\* When collapsed overall height is less than 4"

\* When locked upright height is 30"

\* Fish Mouth Grind at bottom Back Corner of Post

If Painted Galvanized Pipe is Etched Then Coated w/Urethane Coating. Standard Color Yellow.

**This drawing must be signed and returned to Placer Waterworks Inc. when order is placed and before work is started.**