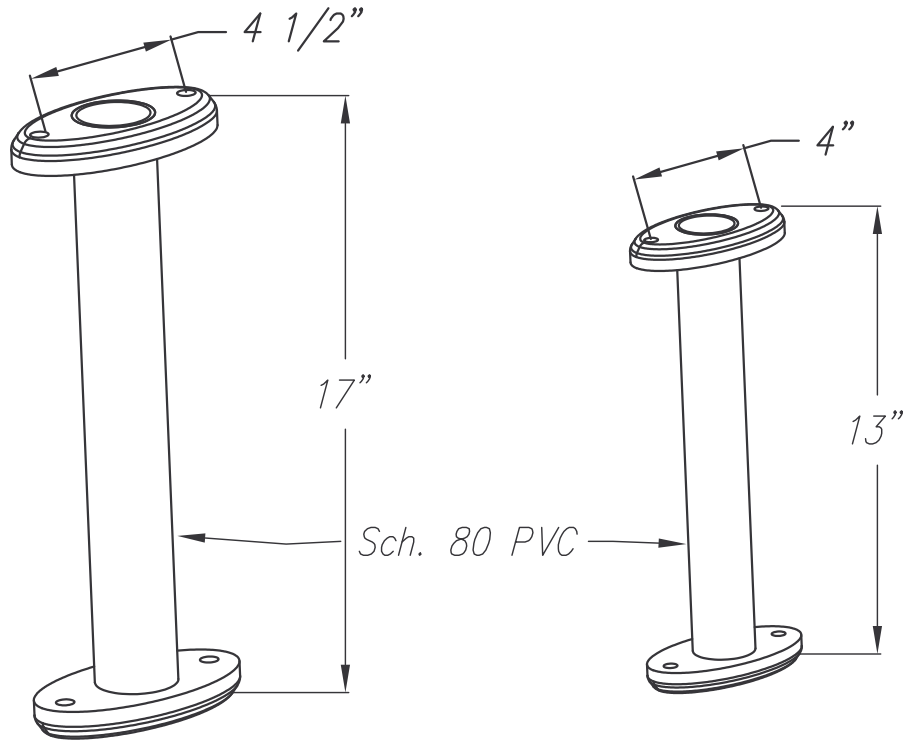


SCHEDULE 80 P.V.C. METER IDLERS

Placer Waterworks, Inc.
 1325 Furneaux Road
 Plumas Lake, CA. 95961
 (530) 742-9675



Standard	Product Code	Length	Weight
1 1/2" Brass Flange	PW/MI-1.5B	13"	4.5lbs
1 1/2" Cast Iron Flange	PW/MI-1.5C	13"	5lbs
2" Brass Flange	PW/MI-2B	17"	5.5lbs
2" Cast Iron Flange	PW/MI-2C	17"	6lbs

* Both sizes 2" or 1" Available in Brass or Cast Iron Flanges

** "Romac" Cast Iron Flange Typically Used.

*** "Jones" Brass Flange Typically Used.