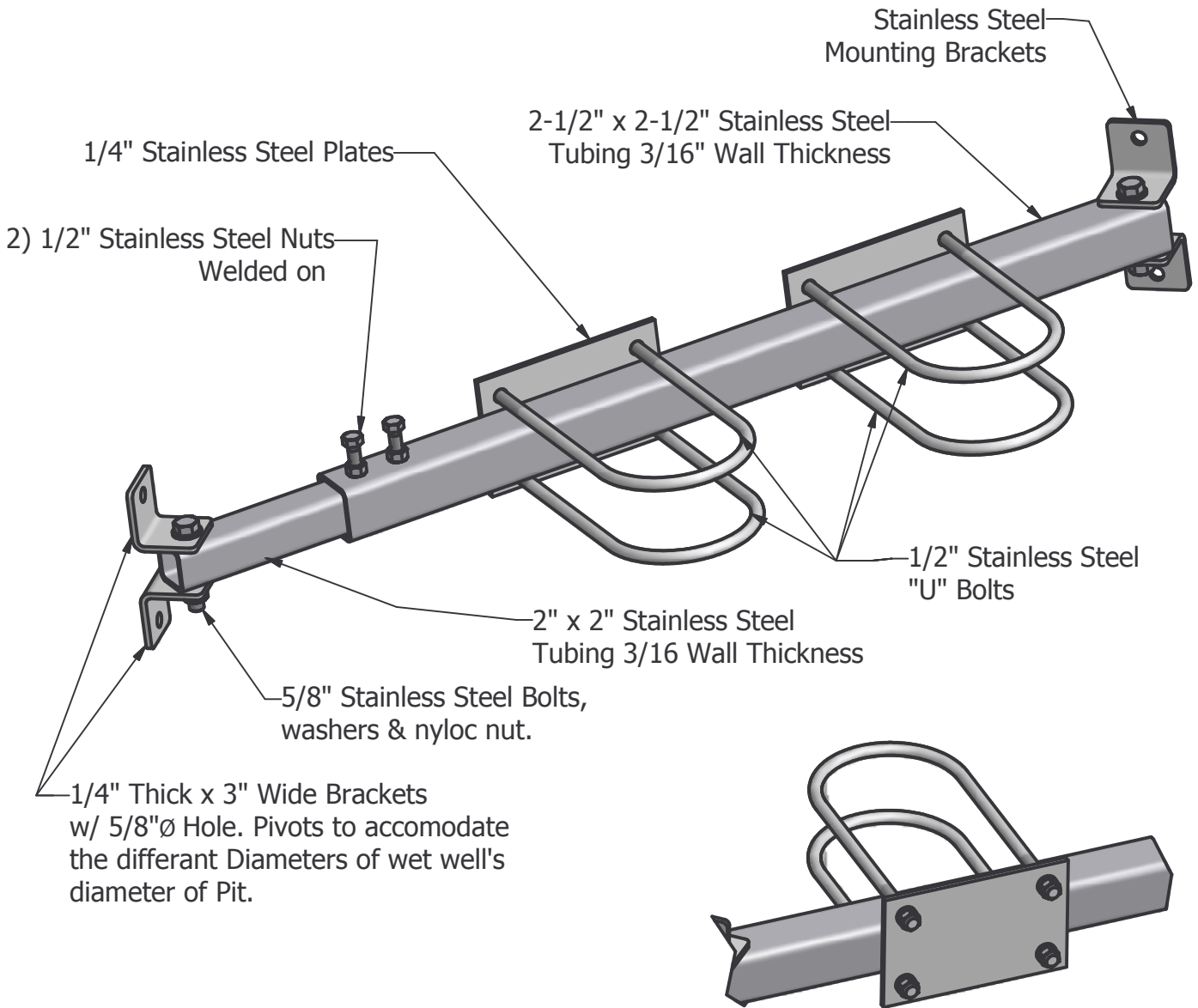


# Sewer Lift Station Bracket *Placer Waterworks Inc.*

1325 Furneaux Road  
Plumas Lake, CA. 95961  
(530) 742-9675



**NOTE:**

This adustable bracket was designed & proven to be user friendly for the INSTALLER hanging from ropes, wearing a harness  
This proven application can be endorsed by both Granite Construction & Tiechert Construction of the Sacramento area.  
It's been stated "It took only 30 minutes to install"

This drawing must be signed and returned returned to Placer Waterworks Inc. when order is placed and before work is started.

11/20/2009

CAT#:PW/SLSB