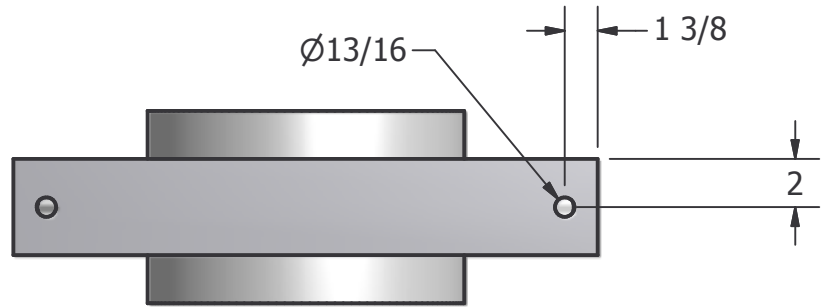


Height of CL
will vary
36" Maximum

High Strength
Non-Shrinking Grout

8
High Strength
Non-Shrinking Grout

3/4"Ø All Thread With
Simpson Set Epoxy
System installed per
Manufactures
recommendation. 6"
embedment into Slab
(by other)



This drawing must be signed and returned to Placer Waterworks Inc. when order is placed and before work will be started.

DRAWN Gary J	3/9/2009	Placer Waterworks (530) 742-9675		
CHECKED Norman Scheel				
QA		TITLE		
MFG		12" Heavy Duty Pipe Support Stand		
APPROVED		SIZE B	DWG NO 12in HD Pipe Support	REV A
		SCALE	1/2	