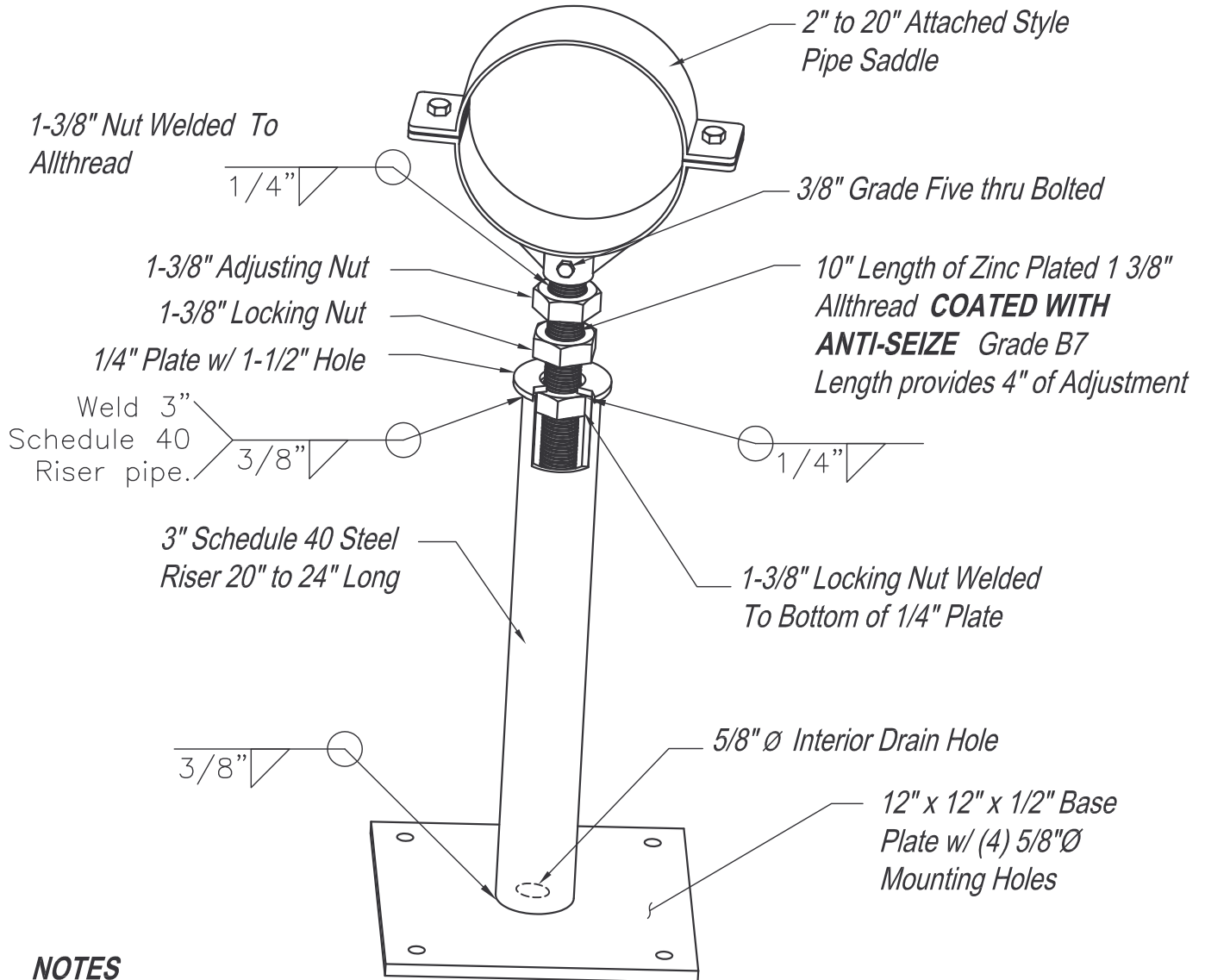


SEISMIC PIPE SUPPORT STAND

Placer Waterworks, Inc.
 1325 Furneaux Road
 Plumas Lake, CA. 95961
 (530) 742-9675



NOTES

1. The Base, Riser and 1/4" Plate are all welded together with 3/8" Fillet weld all around.
2. The entire support is made of steel and corrosion protection of epoxy coatings, per Spec Section 09905
3. Capital Engineering Laboratories Inc. - 10/23/1998 - Showed support Capacity of 48,000 LBS. Concentric Vertical Load without noticeable deformation using 3" Schedule 40 Steel Riser.
4. *Destructive Testing Showed* that up to a 24" seismic pipe support w/ 4" inches of adjustment for up to 20" diameter pipe met the standard load rating produced by the Uniform Building Code (UBC) Seismic Zone 4 Forces. Placer Waterworks Inc. achieved a 2,888lbs of force w/ the support adjusted to its maximum height w/ only a 1/4" of permanent deflection.

CAT# PW/PS-S (pipe size)