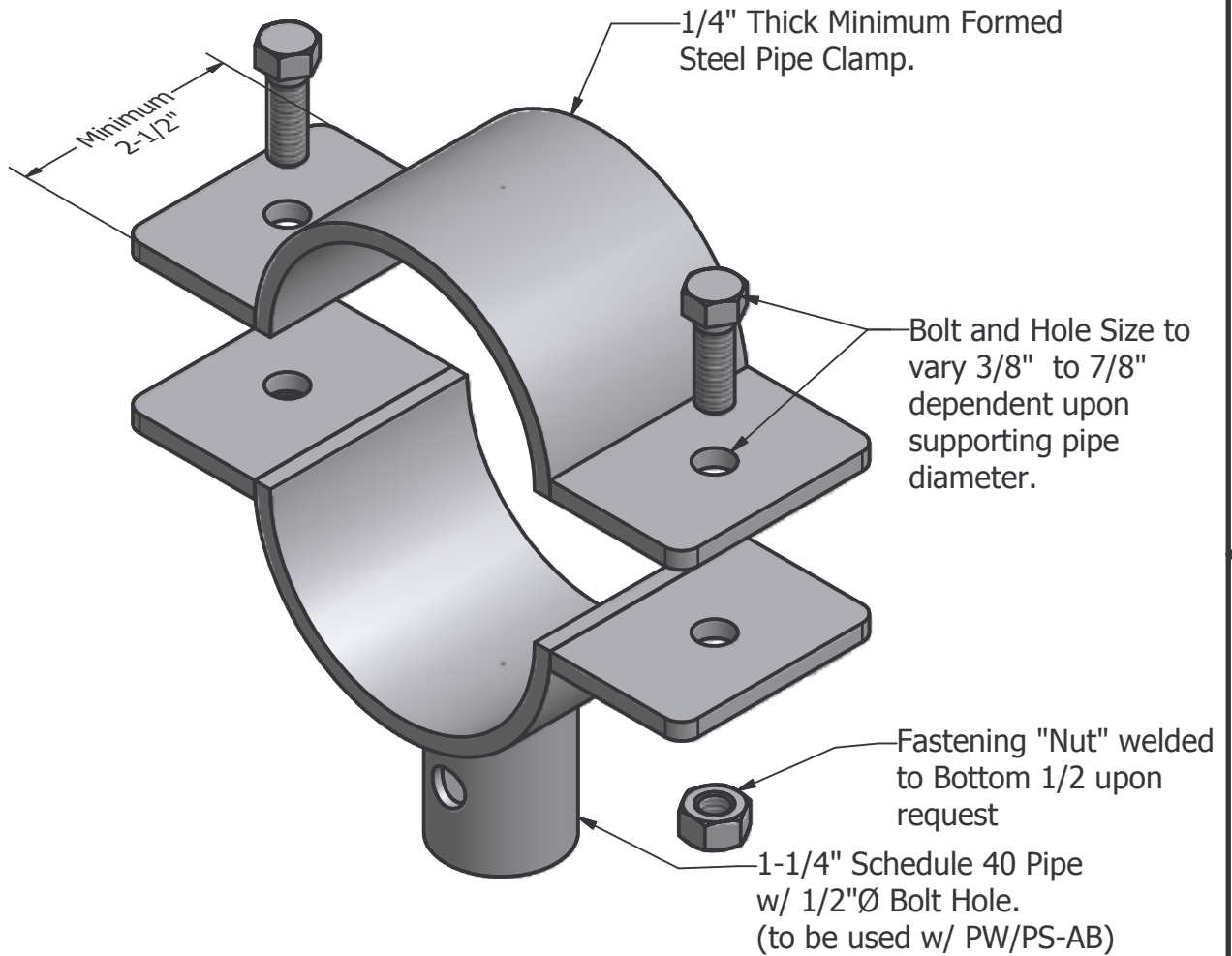


2 1

Pipe Clamp Saddle for Sizes 2" to 24"

Placer Waterworks Inc.

1325 Furneaux Road
Plumas Lake, CA. 95961
(530) 742-9675



A B

NOTES:

1. Entire Saddle is made of Steel and sealed with Pittsburg Paint Product 95-912 Series (Black). (optional: Hot Dip Galvanized or Powder Coatings.)
 2. Saddle ID can be formed to accommodate true Rubber Contact Surfaces.
 3. All Welding done per AWS Specifications.
- A B

This drawing must be signed and returned returned to Placer Waterworks Inc. when order is placed and before work is started.

7/2/2010

CAT#:PW/SDLA-X (Required size and type
Ductile Iron, Plastic, Steel)

Copyrighted 2009 Placer Waterworks Inc.© - All Rights Reserved - For Authorization for Duplication maybe obtained thru: kkern@placerwaterworks.com

2 1