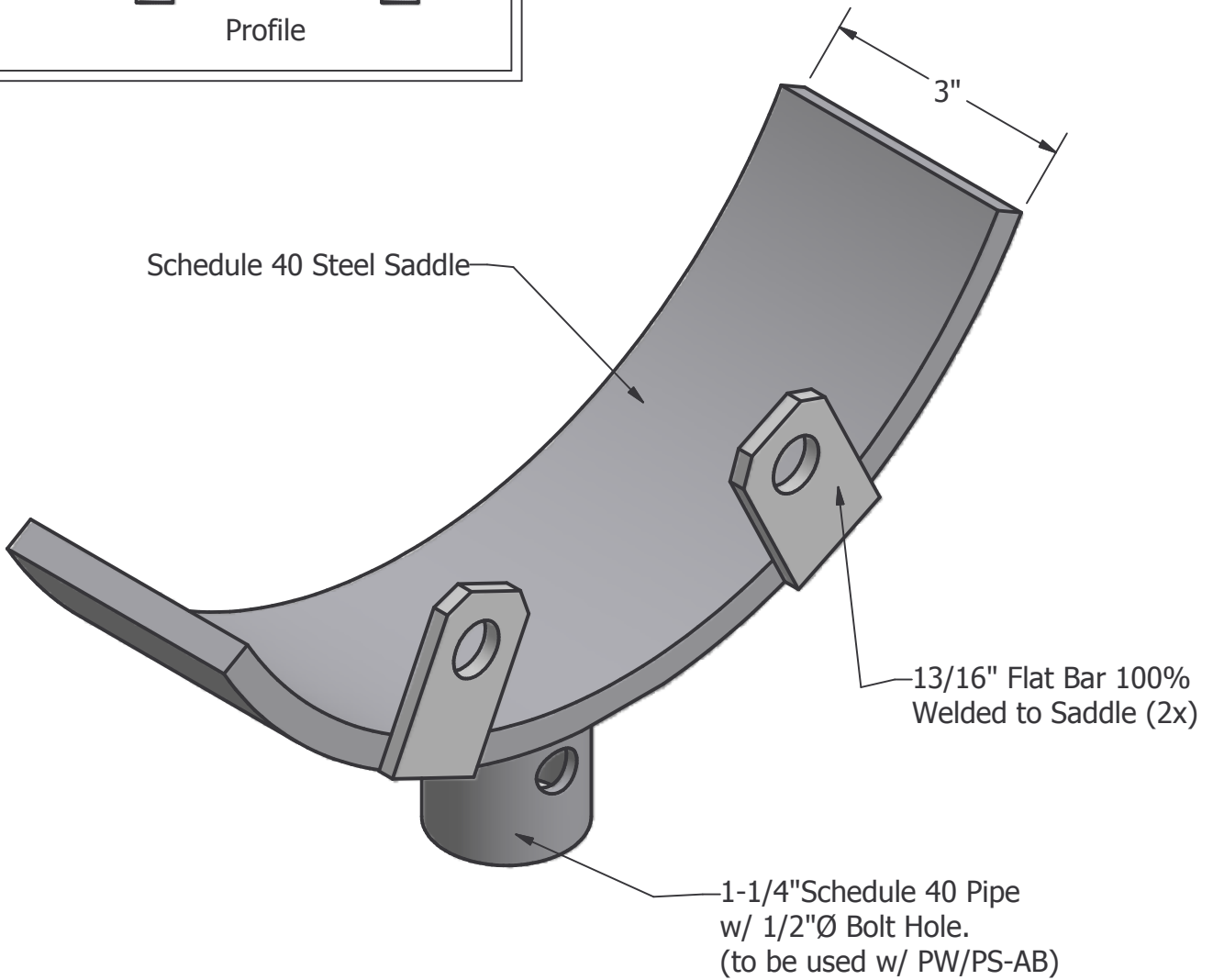
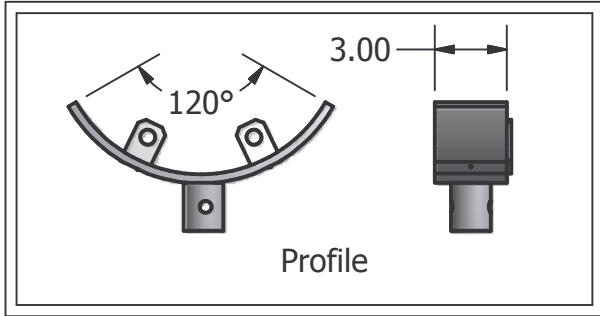


2 1

Bolt To Flange Saddle For Sizes 2" TO 24"

Placer Waterworks Inc.

1327 Furneaux Road
Plumas Lakes, CA. 95961
(530) 742-9675



A B

NOTE:

1. Entire Saddle is made of steel protected with Pittsburg Paint Product 95-912 Series (Black).
 2. Saddles can be custom made to fit any size Flange.
 3. All Welding per AWS Specifications.
- A

CAT#:SDLB-X (size required)

7/2/2010

2 1