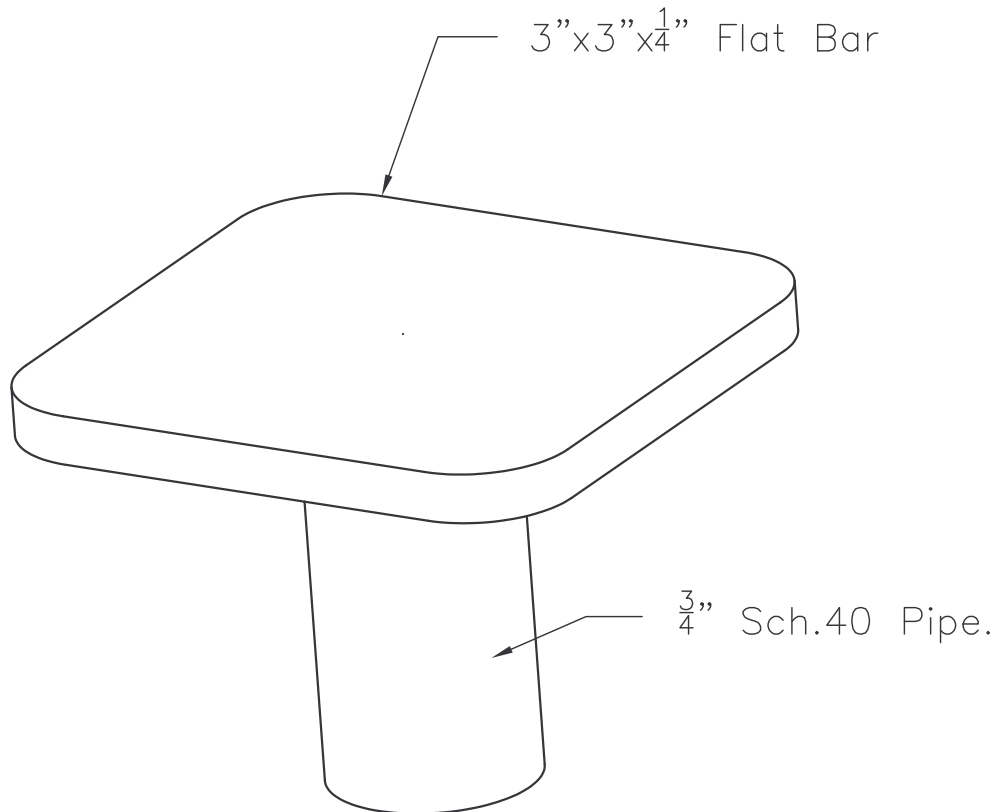


VALVE FLAT SUPPORT

*Placer Waterworks, Inc.
9522 Antelope Oaks Court
Roseville, CA 95747
(916) 773-2959*



NOTES:

1. Available Corrosion Protection coating to saddle surface are: enamel paints, h.d. galvanizing, epoxy coatings or power coatings available. (Also available in 304 Stainless Steel)
2. All Welding per AWS Specifications.