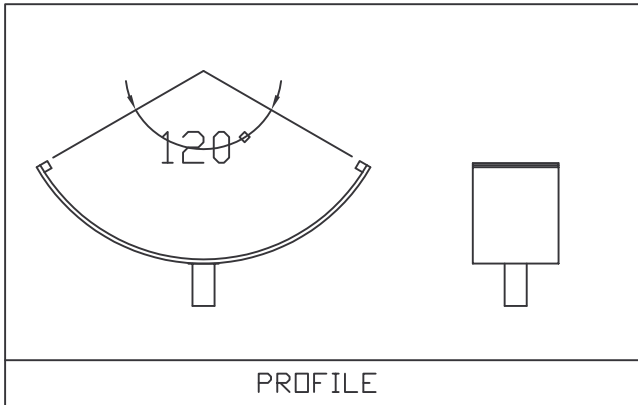
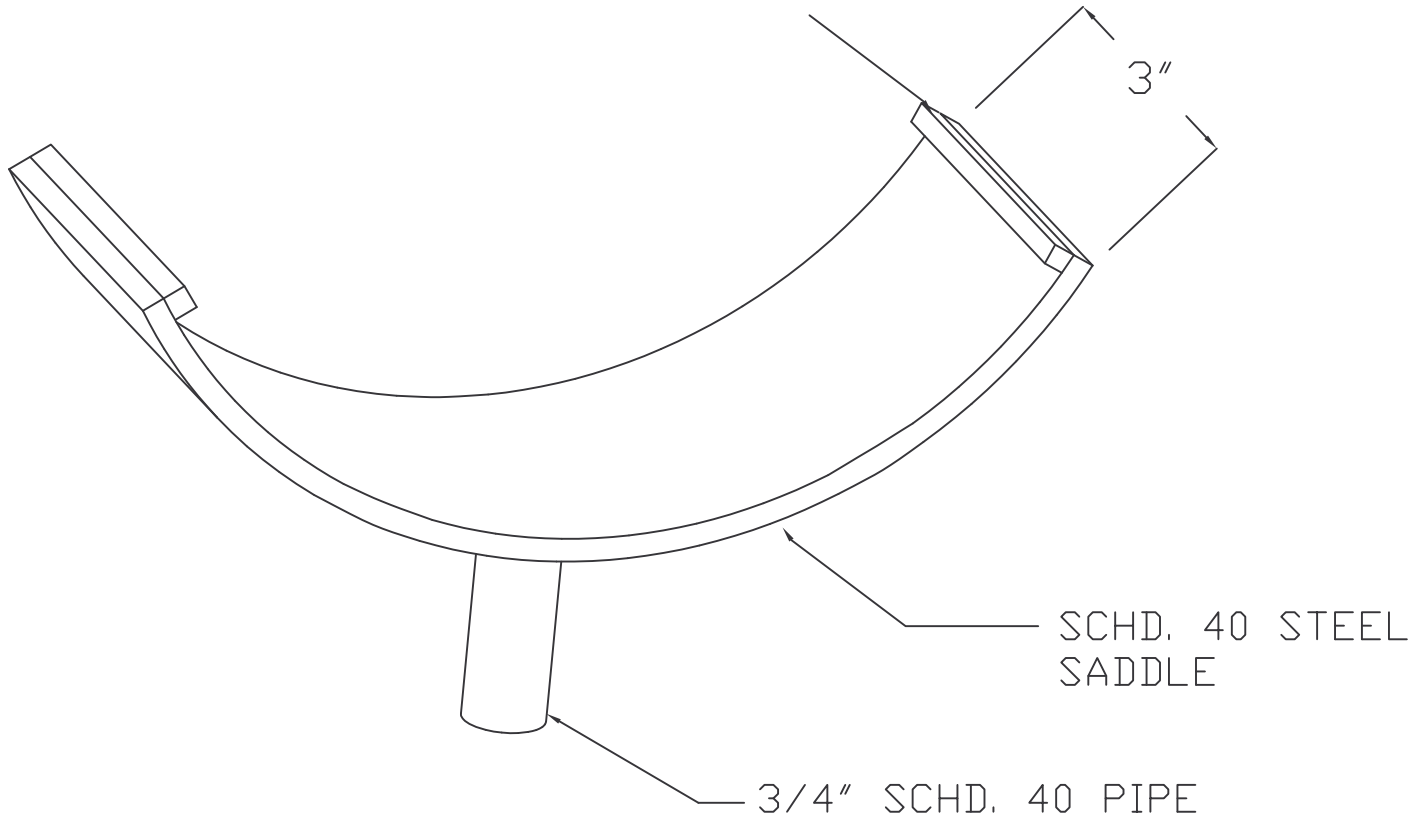


# SADDLE DETAIL FOR SIZES 2" TO 14"

Placer Waterworks, Inc.  
1325 Furneaux Road  
Plumas Lake, CA. 95961  
(530) 742-9675



3/8" X 3/8" SOLID SQUARE STOCK WELDED TO SADDLE TO ASSURE GOOD SUPPORT TO CONSISTENT OR IRREGULAR SHAPED SURFACES, IE: GATE VALVE.



## NOTES:

ENTIRE SADDLE IS MADE OF STEEL AND SEALED WITH PITTSBURG PAINT PRODUCT 95-912 SERIES (BLACK) 68% WEIGHT SOLIDS.  
SADDLES CAN BE CUSTOM MADE TO FIT ANY SIZE.

CAT# PWSDL - ( REQUIRED SIZE )