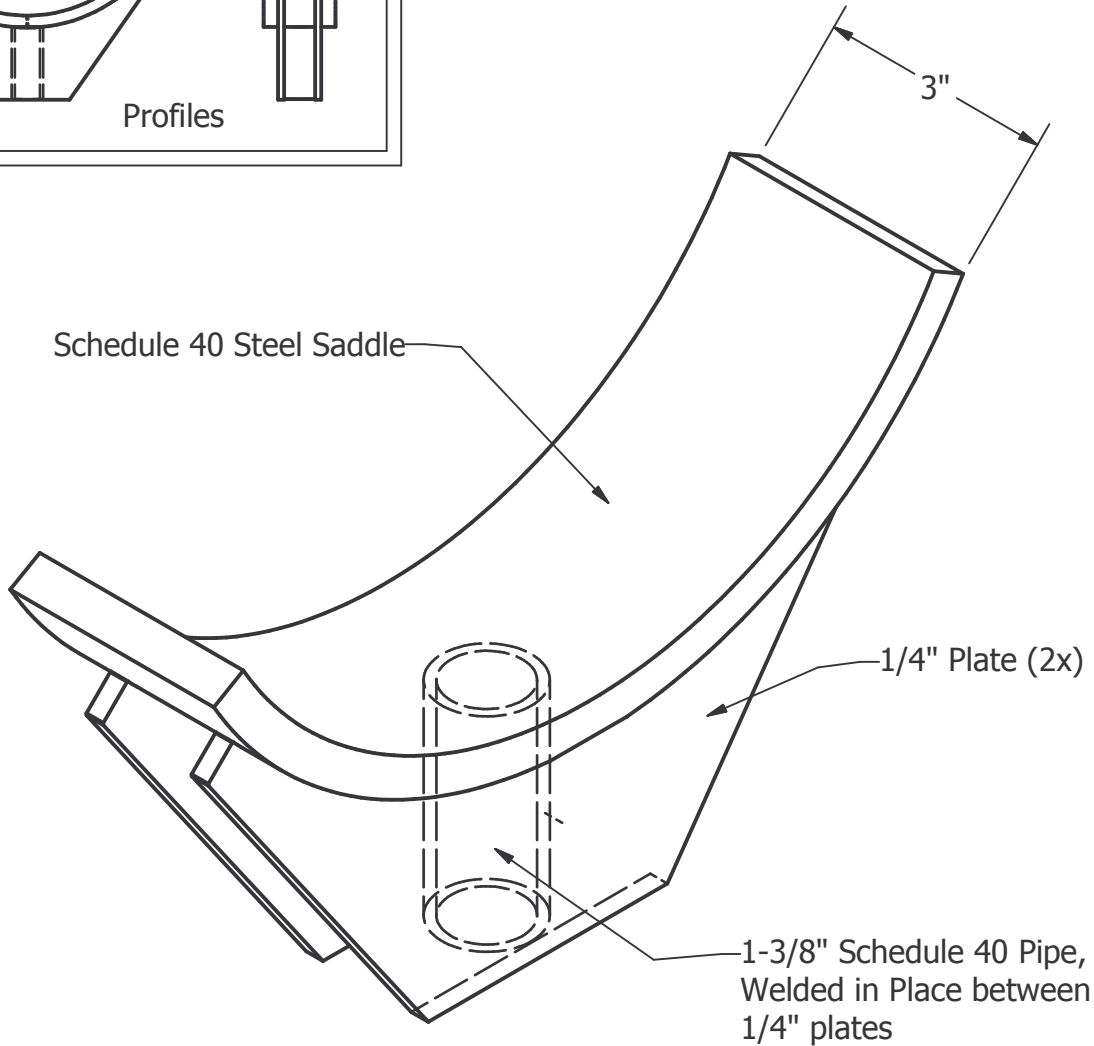
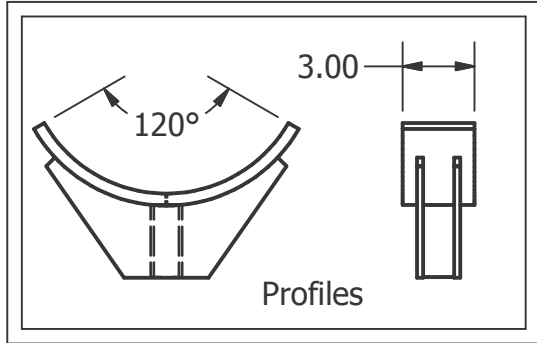


2 1

# SADDLE DETAIL FOR SIZES 16" to 24"

*Placer Waterworks Inc.*

1327 Furneaux Road  
Plumas Lakes, CA. 95961  
(530) 742-9675



- NOTE:
- 1. Entire Saddle is made of Steel and Hot Dipped Galvanized after Fabrication.
  - 2. Saddles can be Custom made to Fit any size.
  - 3. All Welding done to AWS Specifications