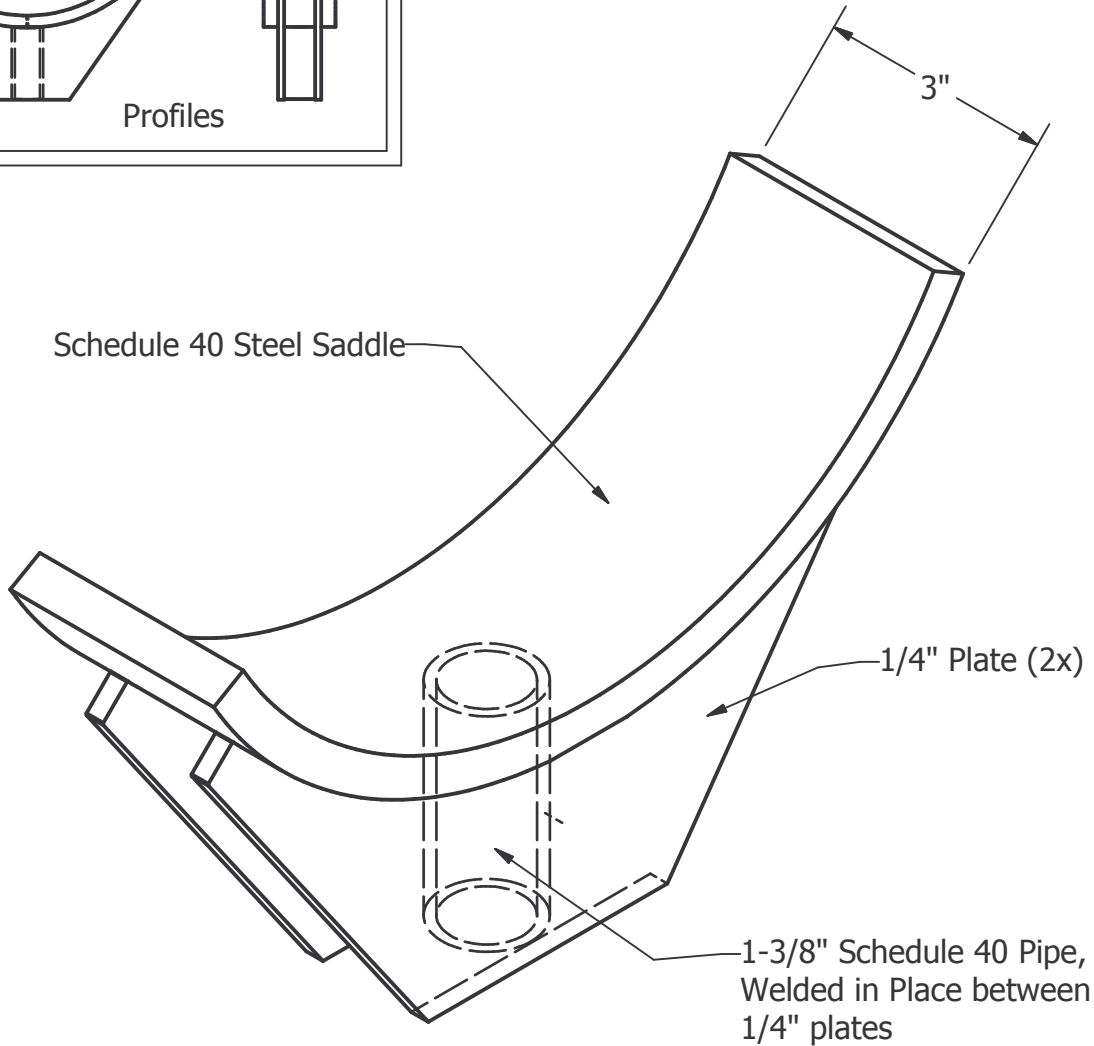
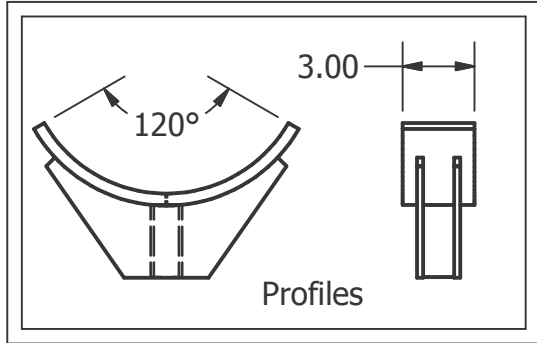


2 1

SADDLE DETAIL FOR SIZES 16" to 24"

Placer Waterworks Inc.

1327 Furneaux Road
Plumas Lakes, CA. 95961
(530) 742-9675



A

NOTE:

1. Entire Saddle is made of Steel and Sealed with Pittsburg Paint product 95-912 Series (Black) 68% Weight Solids.
2. Saddles can be Custom made to Fit any size.
3. All Welding done to AWS Specifications

CAT#:Custom: SDL-X (required size)

2/10/2004

1