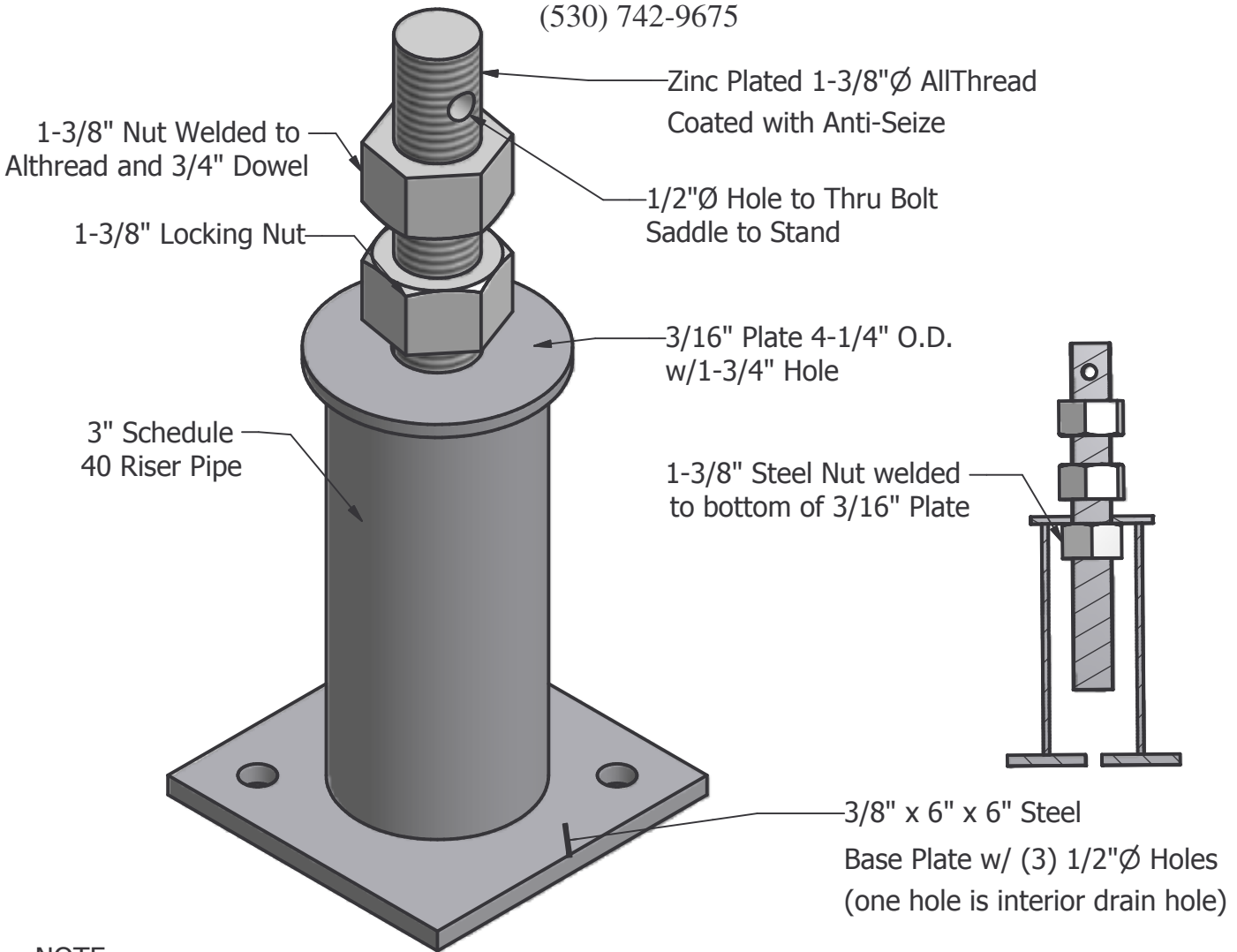


# SUPPORT STAND

## *Placer Waterworks Inc.*

1327 Furneaux Road  
Plumas Lakes, CA. 95961  
(530) 742-9675



**NOTE:**

1. The Base, Riser and 3/16" x 4-1/4" O.D. Plate are all welded together  
(All welding done per AWS Specifications)
2. Corrosion Protection options:
  1. The Entire Support is made of Steel and sealed with Pittsburg Paint Product 95-9112 Series (Black) 68% Weight Solids  $\pm$  2%
  2. Powder Coating
  3. Hot Dipped Galvanized
3. Standard Supports come in Four Sizes
4. Custom made to fit Supports of any size can be fabricated.

Product Code	Height Adjustment	Weight
PW/PS1014-AB	10" to 14"	10lbs
PW/PS1218-AB	12" to 18"	13lbs
PW/PS1624-AB	16" to 24"	16lbs
PW/PS2436-AB	24" to 36"	22lbs

**\*DESTRUCTIVE TESTING\***  
Showed support capacity of 48,000lbs concentric vertical load WITH-OUT noticeable deformation

CAT#:PSXXXX-AB- (S = Painted - Z = HDG)

4/28/2010