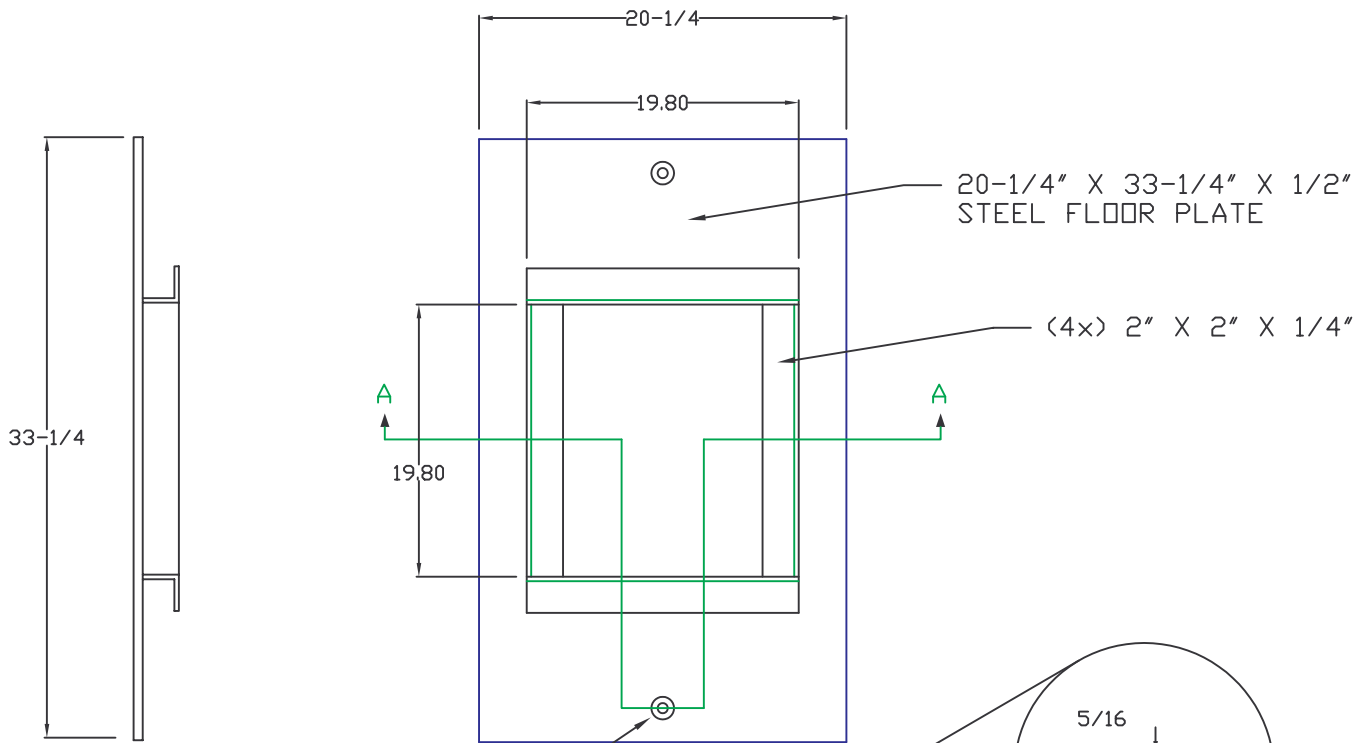
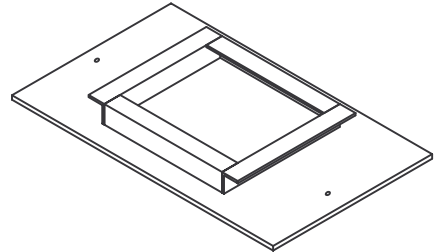


1730 Traffic Rated Steel Cover

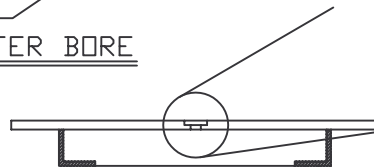
Placer Waterworks Inc.

1325 Furneaux Road
 Plumas Lake, CA. 95961
 (530) 742-9675

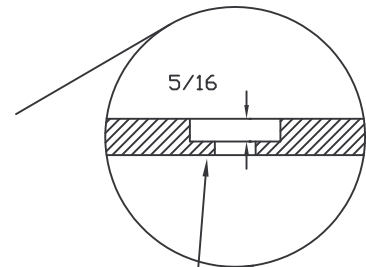
LOAD TEST	
LOAD (LBS)	PERMANENT DEFLECTIONS (IN).
36,000	Minimal
48,000	1/32"
60,000	3/16"
67,200	5/16"
72,000	3/8"



(2x) ϕ 9/16
 ϕ 1-1/4 COUNTER BORE
 5/16 DEEP



A - A
 Section Detail



NOTE:
NOT A WELDED
 IN WASHER.

This drawing must be signed and returned
 returned to Placer Waterworks Inc. when
 order is placed and before work is started.