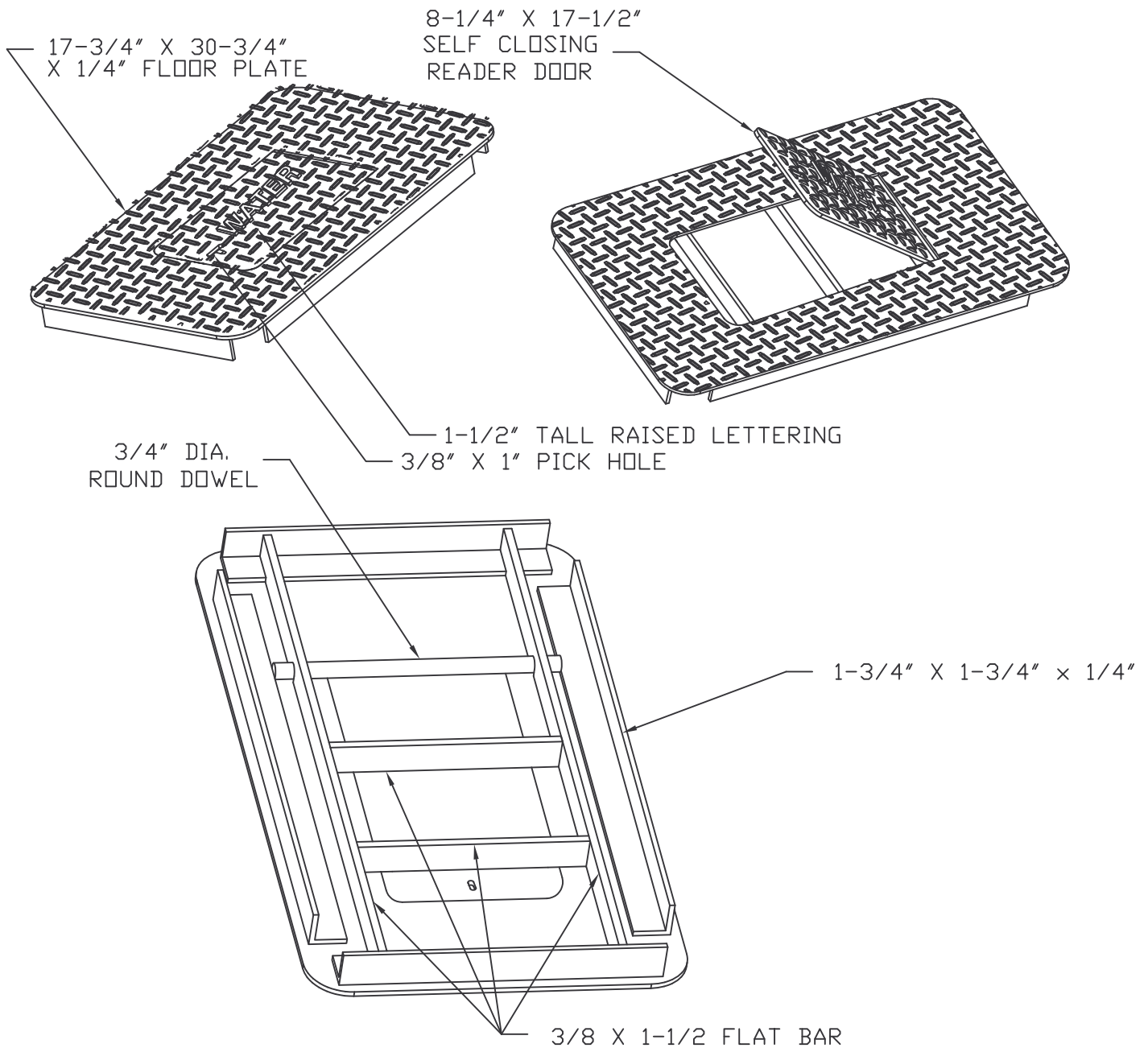


# TRAFFIC RATED 66-S

*Placer Waterworks, Inc.  
1325 Furneaux Road  
Plumas Lake, CA. 95961  
(530) 742-9675*

1. 100% OF FIXTURE IS ASTM-A36 STRUCTURAL STEEL.
2. SURFACE IS 1/4" DIAMOND FLOOR PLATE.
3. H.D. REINFORCEMENT MEMBERS ARE 3/8" & 1/4" THICK.
4. CORROSION PROTECTION COATING BY I.C.I. DEVDE CAT. # 4318-XXXX.  
FREE FROM MERCURY, LEAD & CHROMATE HAZARDS. SOLIDS BY VOLUME  
49% ±1% PER GAL.



CAT. # P.W. VC-66SF

03/23/01