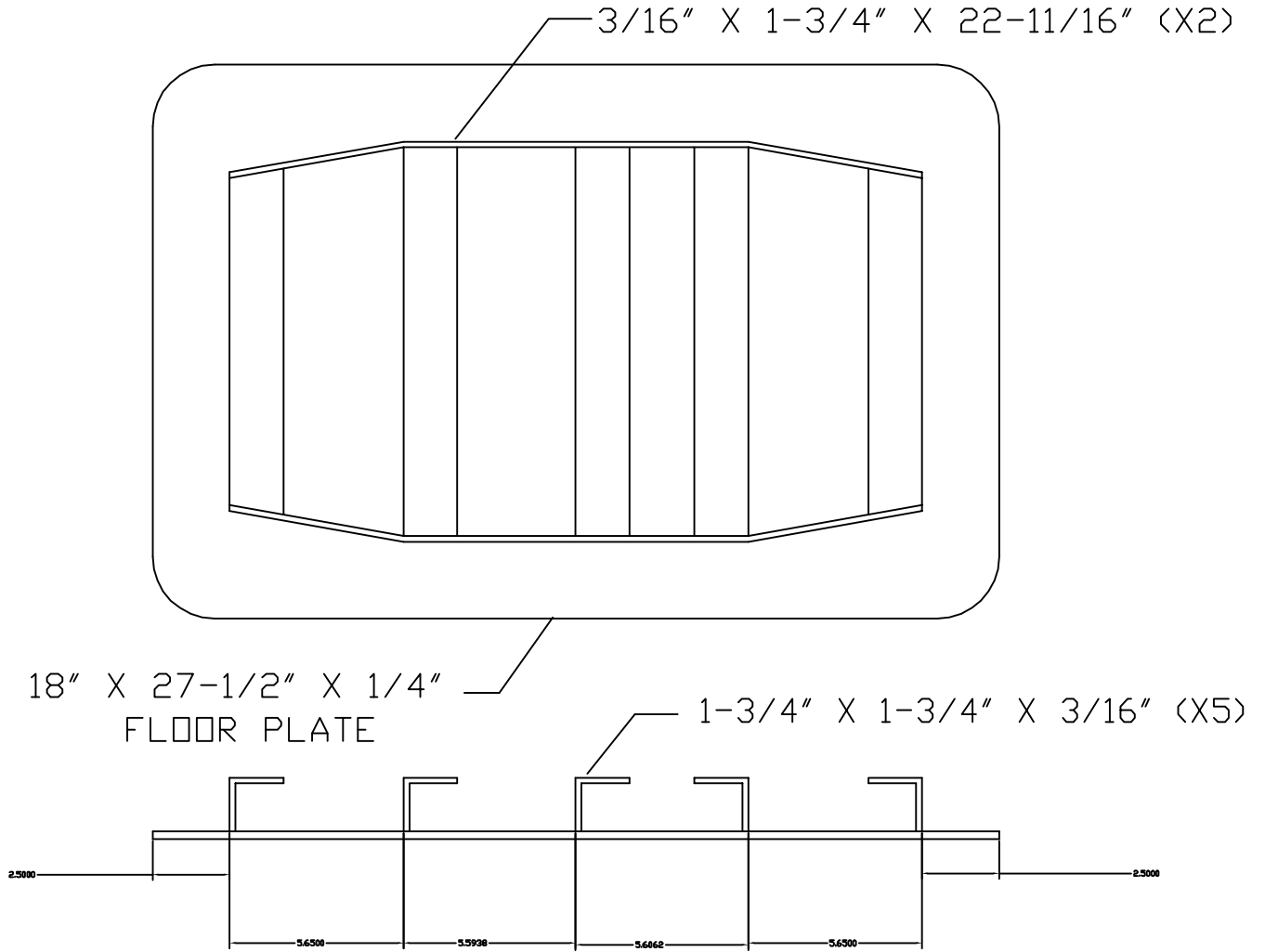


# PW/B30-HD

Placer Waterworks, Inc.  
9522 Antelope Oaks Court  
Roseville, CA 95747  
(916) 773-2959



THE REINFORCED CONSTRUCTION OF THIS COVER  
HAS BE DESTRUCTIVELY TESTED TO 46,930 psi.  
WHICH CREATED 1/2" PERMANATE DEFLECTION.  
TESTED AT CAPITAL ENGINEERING LABORTORIES  
ROSEVILLE, CA. JUNE 21, 1999