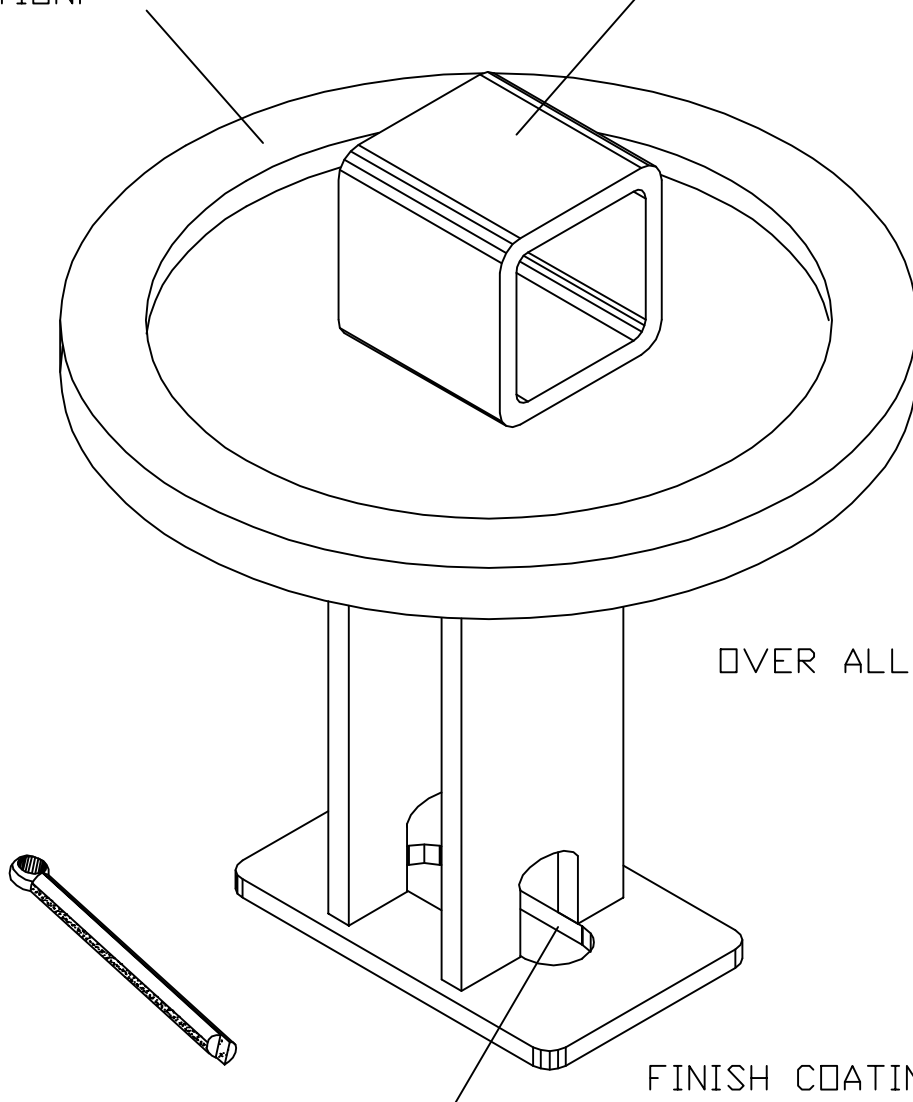


CURB KEY ADAPTER

Placer Waterworks, Inc.
1325 Furneaux Road
Plumas Lake, CA. 95961
(530) 742-9675

1/2" X 5/8" POLY-URETHANE RING
TO PROVIDE A SLIPPERY SURFACE
ASSISTING THE VALVE FOR EASE
IN OPERATION.

STANDARD VALVE NUT
TO RECEIVE VALVE
EXTENTION



OVER ALL HEIGHT IS 8"

FINISH COATING - DEVRAN
EPOXY 224HS WHITE

SLOT TO RECEIVE CURB KEY EAR
WITH 1/4" X 3-1/2" COTTER PIN
FASTENING BALL VALVE TO PW/CKA

PW/CKA