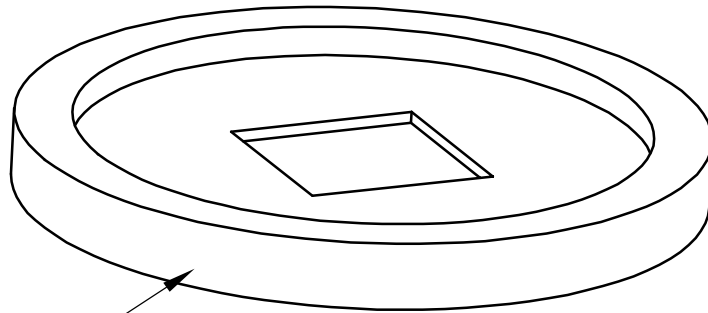


CENTERING RING

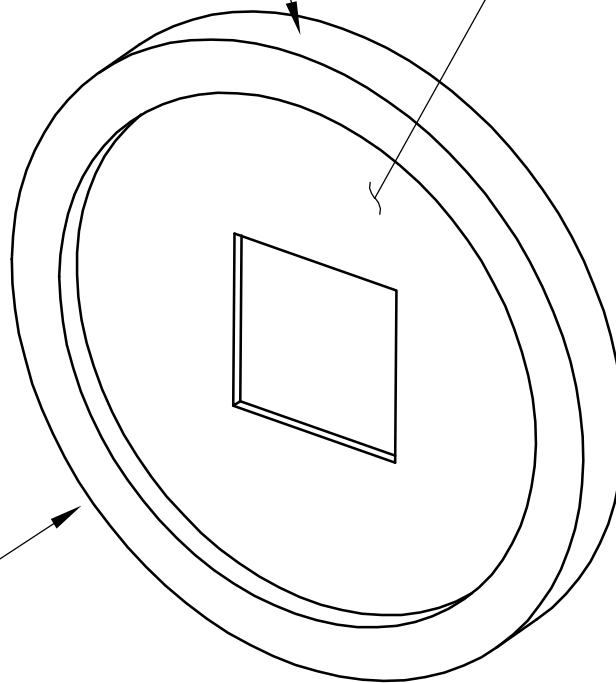
Placer Waterworks, Inc.
1325 Furneaux Road
Plumas Lake, CA. 95961
(530) 742-9675



Assisting both the valve operation and the operator is a slippery $\frac{5}{8}$ " tall Poly-Urethane Ring.

$\frac{3}{4}$ " Wide

$\frac{1}{8}$ " Thick Steel Plate with a $2-\frac{1}{8}$ " square hole to fit over valve operator nut.



Centering Ring Size $7-\frac{1}{2}$ " O.D.

CAT# PW/CR