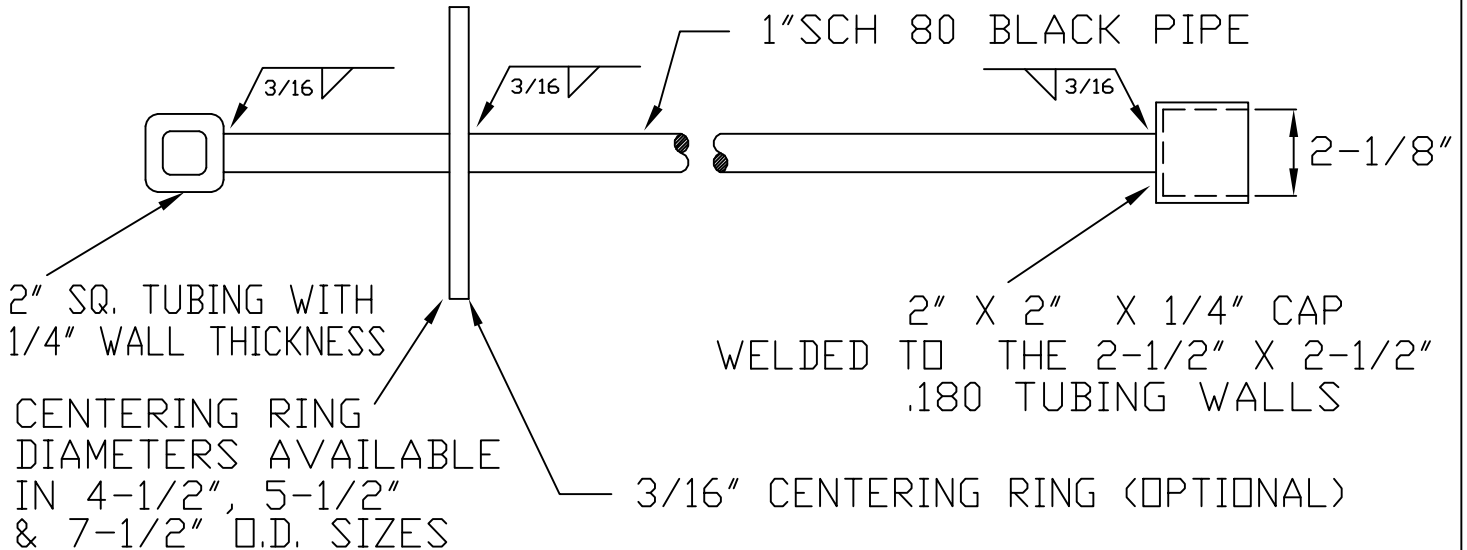
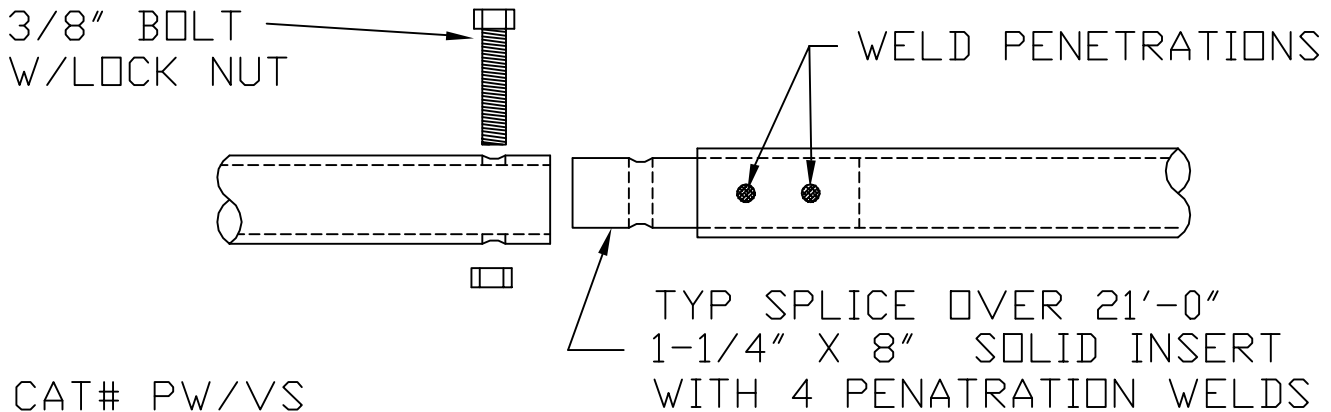


# NID VALVE STEM EXTENSIONS

Placer Waterworks, Inc.  
 1325 Furneaux Road  
 Plumas Lake, CA. 95961  
 (530) 742-9675



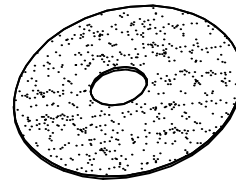
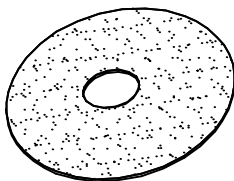
THE ENTIRE EXTENSION IS MADE OF STEEL AND SEALED WITH PITTSBURG PAINT PRODUCT 95-9112 SERIES (BLACK)  
 68% WEIGHT SOLIDS ±2%



CAT# PW/VS

CENTERING RING OPTIONS SPECIFY 4-1/2", 5-1/2", 6-1/2" OR 7-1/2"

STANDARD 3/16" THICK STEEL



AVAILABLE ON REQUEST  
 1/4" THICK STEEL RING

\* FOR EXTENSIONS LONGER THAN 16FT. 1-1/4" SCHEDULE 40 PIPE IS USED BY P.W.W. INC.