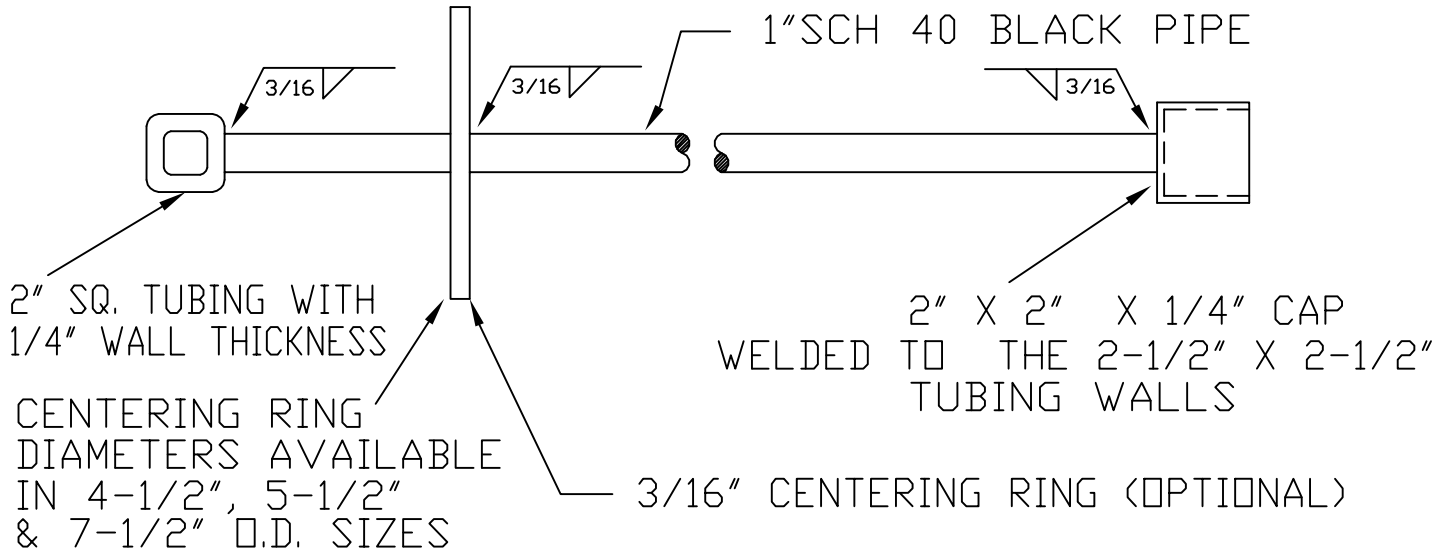
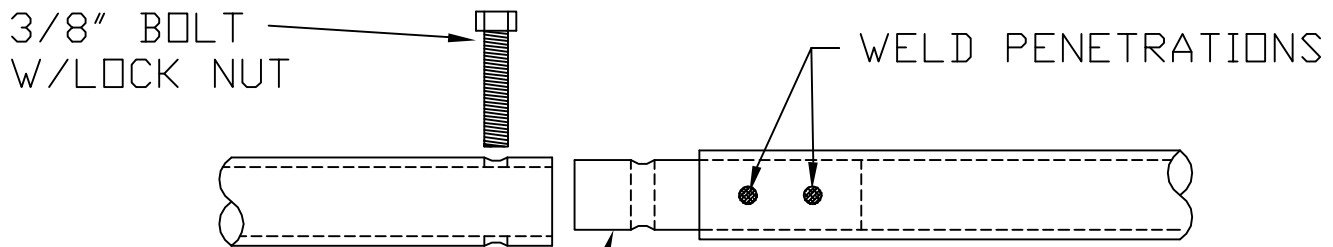


STANDARD VALVE STEM EXTENSIONS

Placer Waterworks, Inc.
 1325 Furneaux Road
 Plumas Lake, CA. 95961
 (530) 742-9675



THE ENTIRE EXTENSION IS MADE OF STEEL AND SEALED WITH
 PITTSBURG PAINT PRODUCT 95-9112 SERIES (BLACK)
 68% WEIGHT SOLIDS ±2%

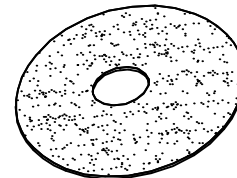
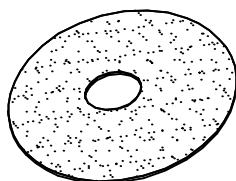


TYP SPLICE OVER 21'-0"
 1-1/4" X 8" SOLID INSERT
 WITH 4 PENATRATION WELDS

CAT# PW/VS

CENTERING RING OPTIONS SPECIFY 4-1/2", 5-1/2", 6-1/2" OR 7-1/2"

STANDARD 3/16"
 THICK STEEL



AVAILABLE ON REQUEST
 1/4" THICK STEEL RING

* FOR EXTENSIONS LONGER THAN 16FT. 1-1/4"
 SCHEDULE 40 PIPE IS USED BY P.W.W. INC.