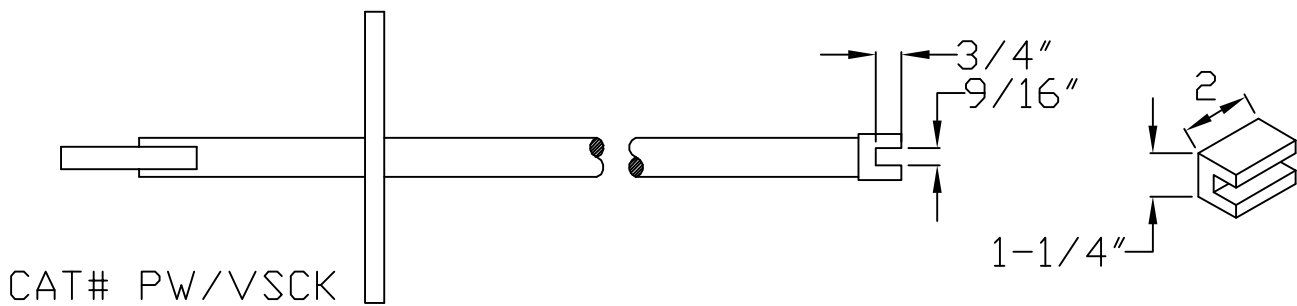
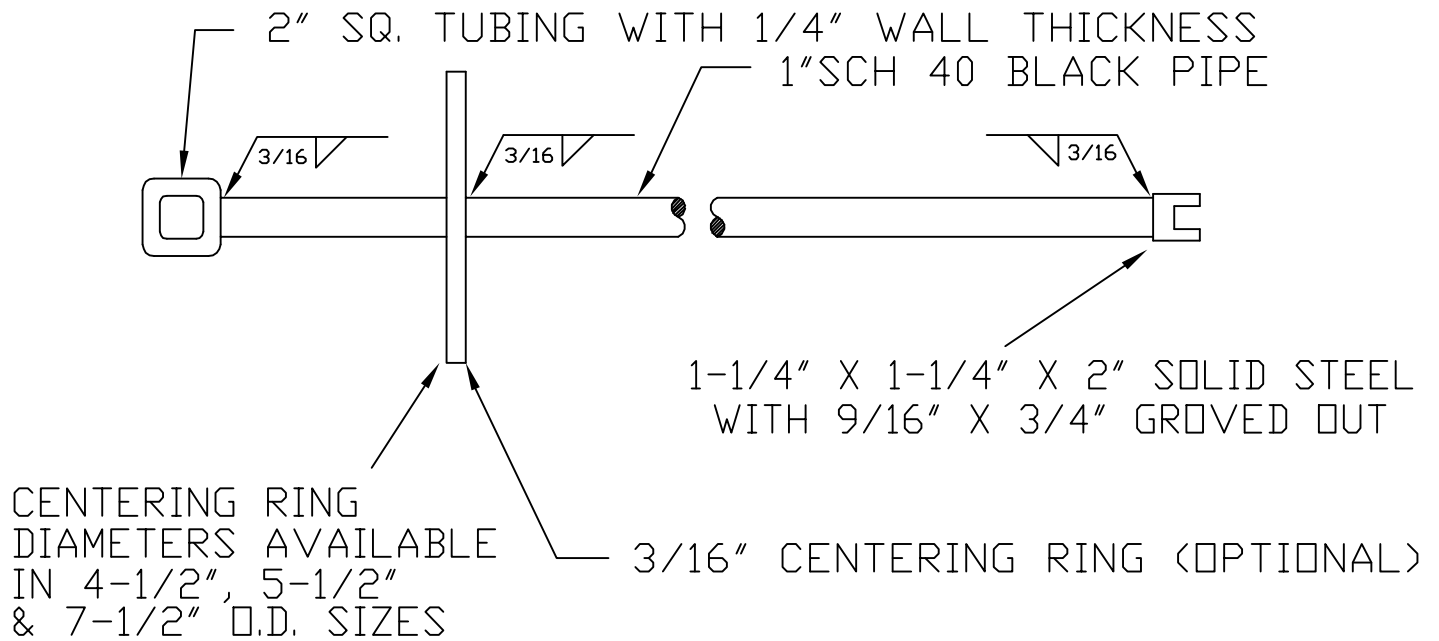


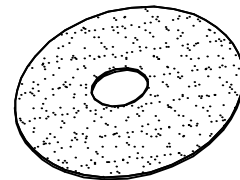
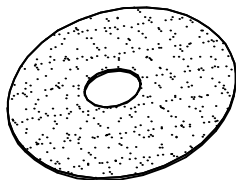
# VALVE / CURB KEY COMBINATION

Placer Waterworks, Inc.  
 1325 Furneaux Road  
 Plumas Lake, CA. 95961  
 (530) 742-9675



CENTERING RING OPTIONS SPECIFY 4-1/2", 5-1/2", 6-1/2" OR 7-1/2"

STANDARD 3/16" THICK STEEL



6-1/2" LOWER RING  
 PLACER COUNTY WATER AGENCY SPECIFICATION

\* FOR EXTENSIONS LONGER THAN 16FT. 1-1/4" SCHEDULE 40 PIPE IS USED BY P.W.W. INC.