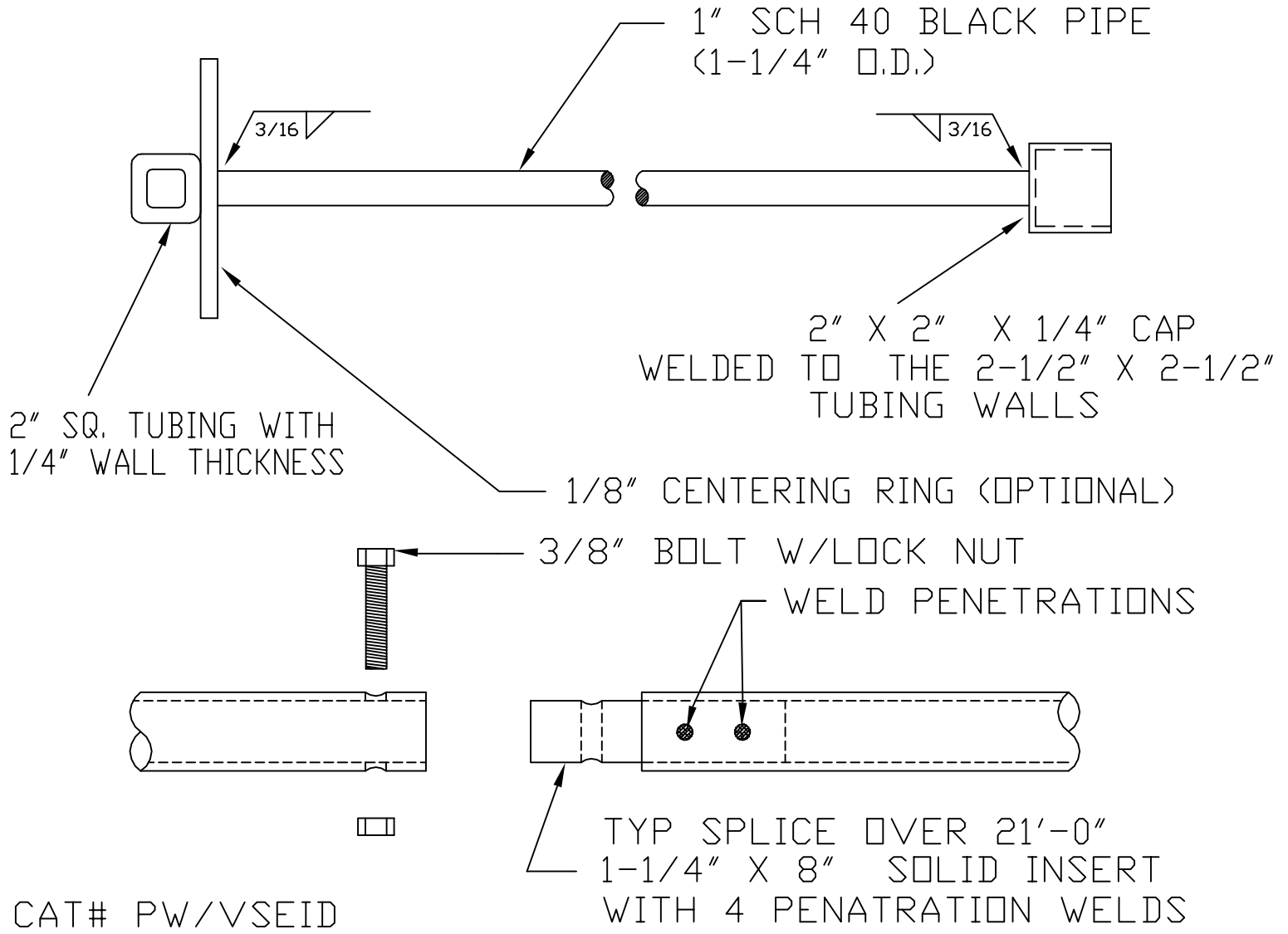


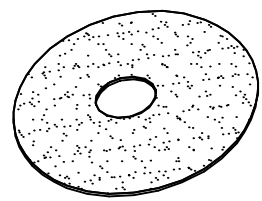
E.I.D VALVE STEM EXTENSIONS

Placer Waterworks, Inc.
 1325 Furneaux Road
 Plumas Lake, CA. 95961
 (530) 742-9675



CENTERING RING OPTION

STANDARD 1/8" X 7-1/2" O.D.



* FOR EXTENSIONS LONGER THAN 16FT. 1-1/4" SCHEDULE 40 PIPE IS USED BY P.W.W. INC.