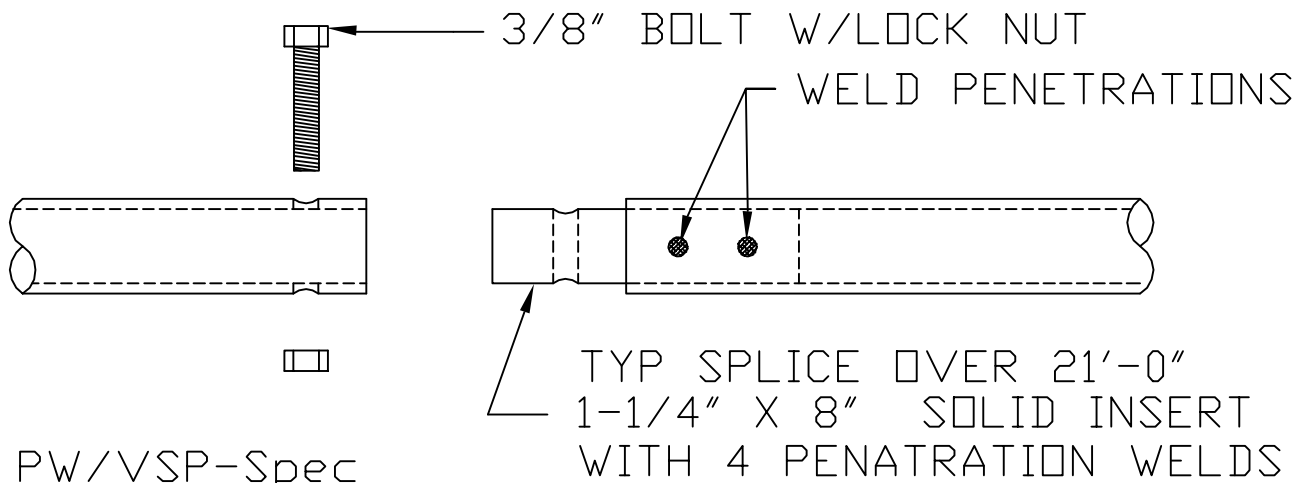
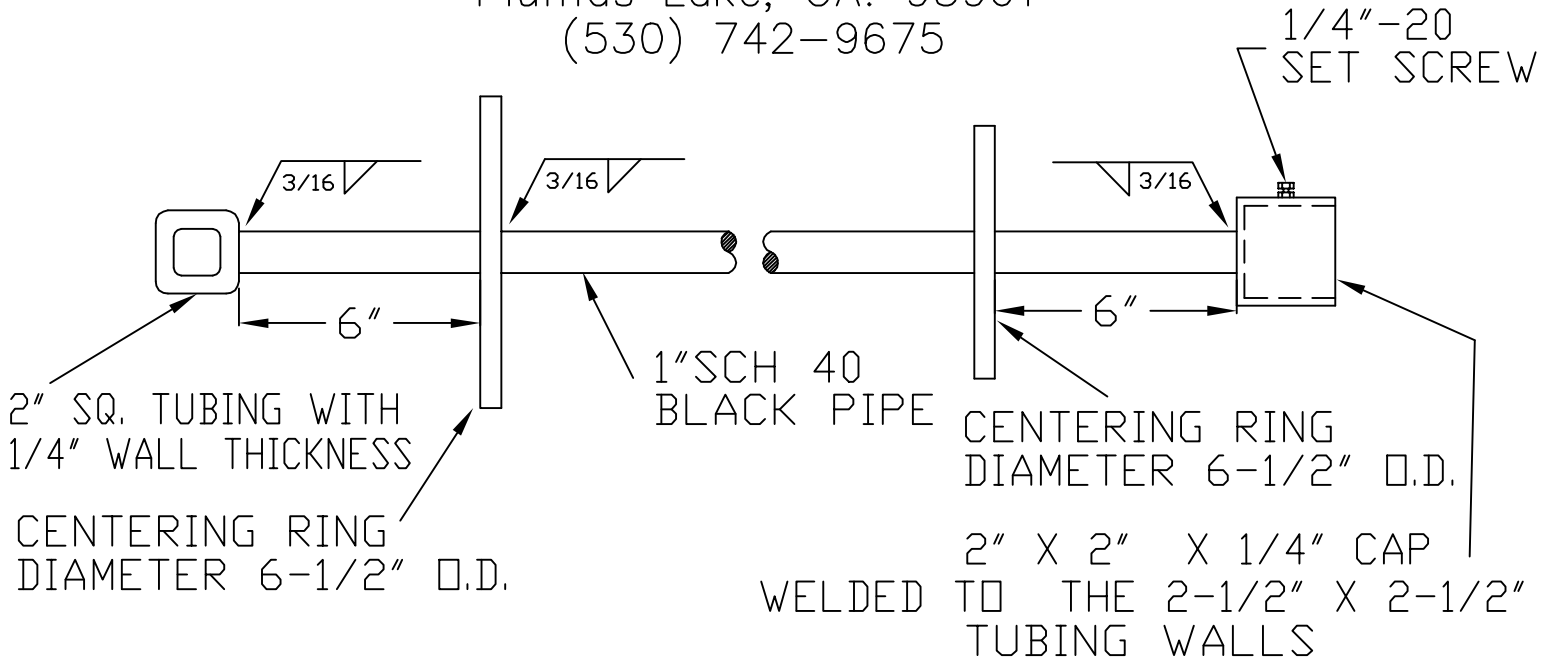


VALVE STEM EXTENSIONS

DOUBLE RING

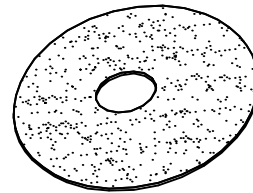
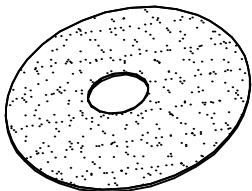
Placer Waterworks, Inc.
 1325 Furneaux Road
 Plumas Lake, CA. 95961
 (530) 742-9675



CAT# PW/VSP-Spec

CENTERING RING OPTIONS SPEC(Lincoln & Elk Grove) 6-1/2"

STANDARD 1/8" THICK STEEL



AVAILABLE ON REQUEST
 3/16" OR 1/4" THICK
 STEEL RINGS

* FOR EXTENSIONS LONGER THAN 16FT. 1-1/4" SCHEDULE 40 PIPE IS USED BY P.W.W. INC.