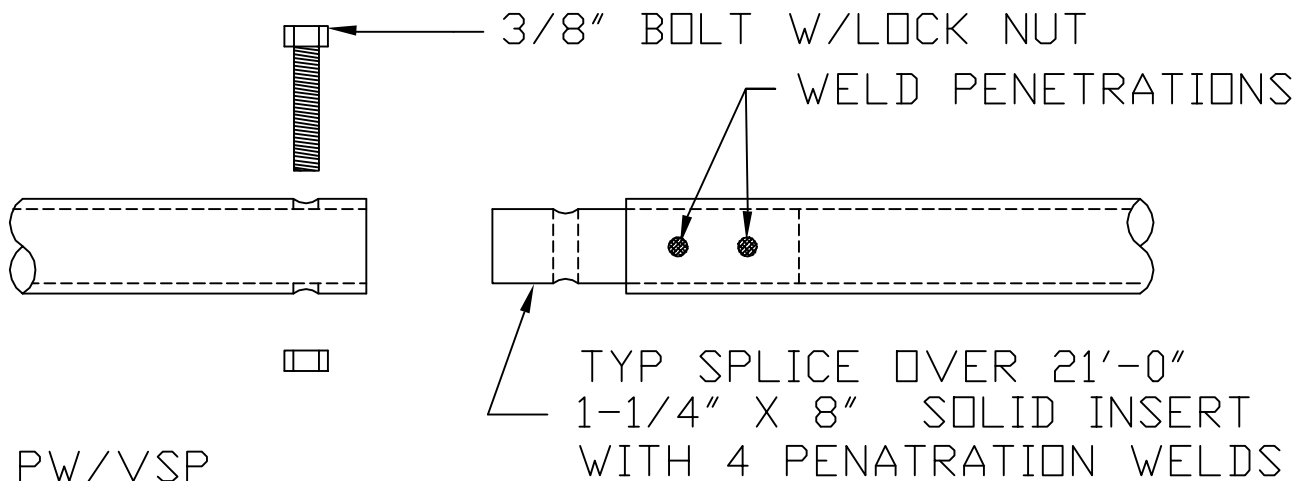
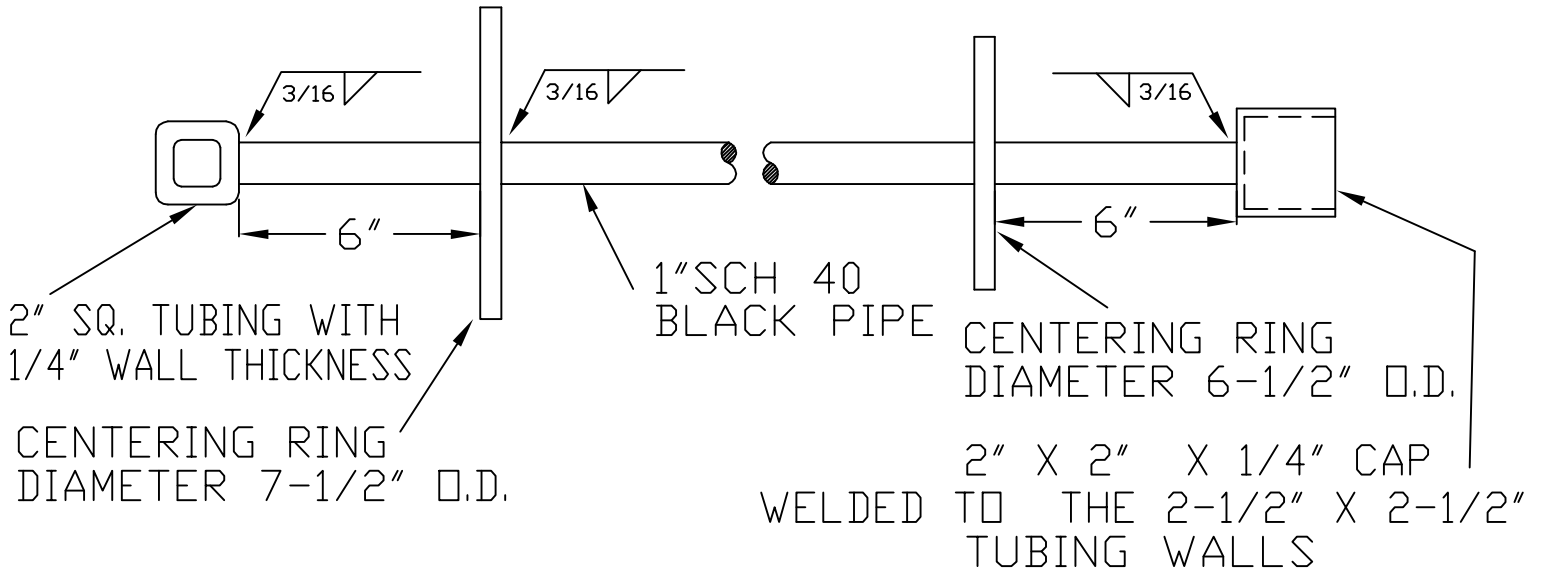


VALVE STEM EXTENSIONS

DOUBLE RING

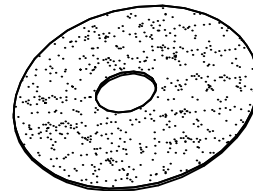
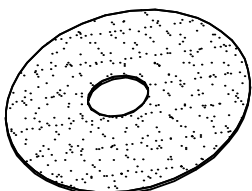
Placer Waterworks, Inc.
 1325 Furneaux Road
 Plumas Lake, CA. 95961
 (530) 742-9675



CAT# PW/VSP

CENTERING RING OPTIONS SPECIFY 6-1/2" & 7-1/2"

STANDARD 3/16" THICK STEEL



6-1/2" LOWER RING
 7-1/2" UPPER RING

* FOR EXTENSIONS LONGER THAN 16FT. 1-1/4" SCHEDULE 40 PIPE IS USED BY P.W.W. INC.