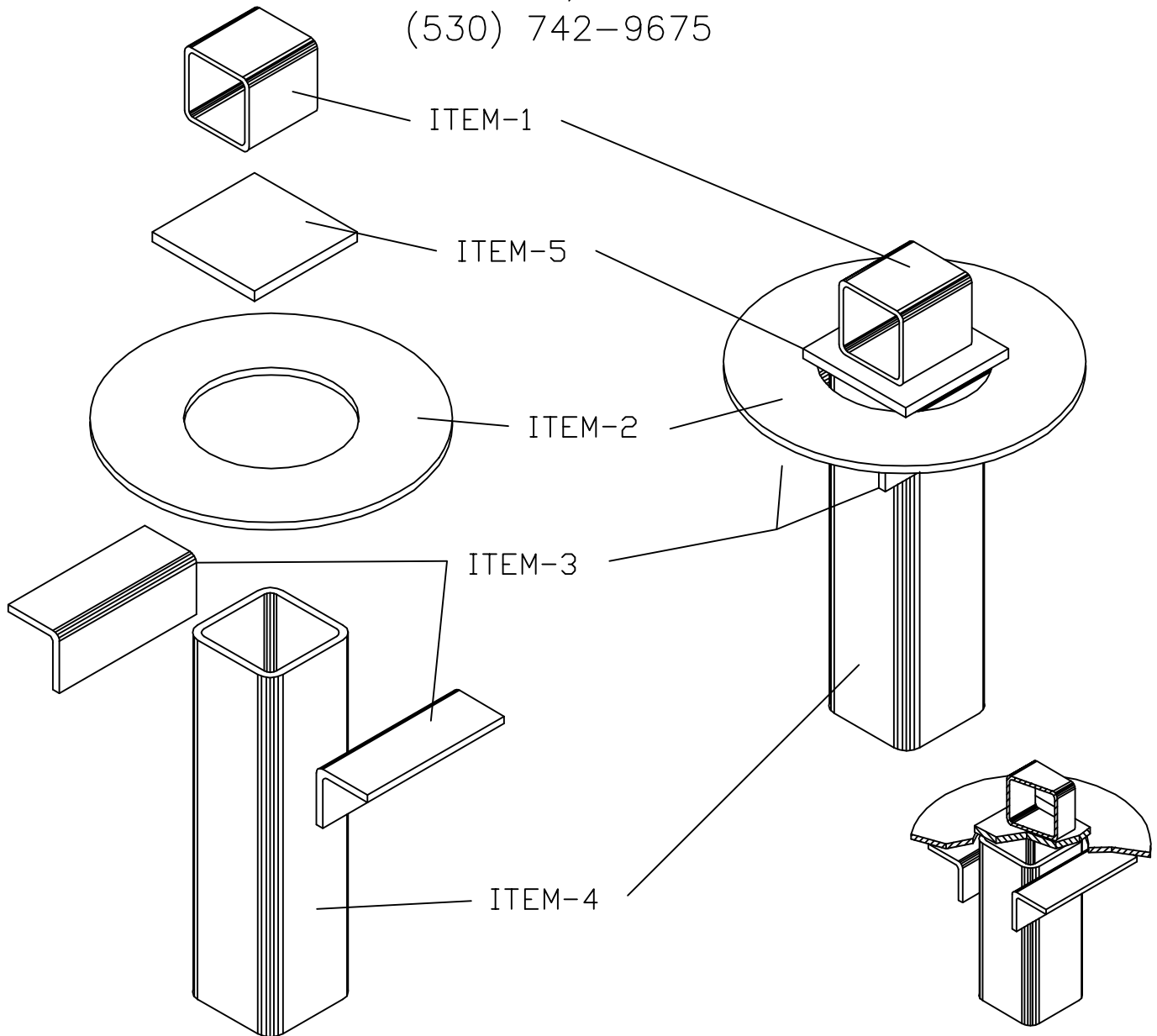


VALVE EXTENTION SANTA ROSA

Placer Waterworks, Inc.
1325 Furneaux Road
Plumas Lake, CA. 95961
(530) 742-9675



ITEM-1. OPERATING NUT 1/4" WALL TUBING 2" X 2"

ITEM-2. DISK 3/16" THK. 7-1/2" DIA. FREE SPINNING GUIDE PLATE WITH 3-5/8" DIA. HOLE IN CENTER.

ITEM-3. TWO 3/16" X 1-1/2" X 1-1/2" X 4" LONG STEEL ANGLE WELD TO TWO SIDES OF RISER SHAFT.

ITEM-4. 2-1/2" .188 WALL SQUARE STEEL TUBING, LENGTH AS REQUIRED. EDGE WELD TO TOP PLAT

ITEM-5. 3" X 3" X 1/4" STEEL TOP PLATE. WELD TO RISER SHAFT AFTER GUIDE PLATE IS IN PLACE.

* ENTIRE VALVE EXTENTION IS MADE OF STEEL AND SEALED WITH PITTSBURG PAINT

* PRODUCT 95-912 SERIES (BLACK) 68% WEIGHT SOLIDS.