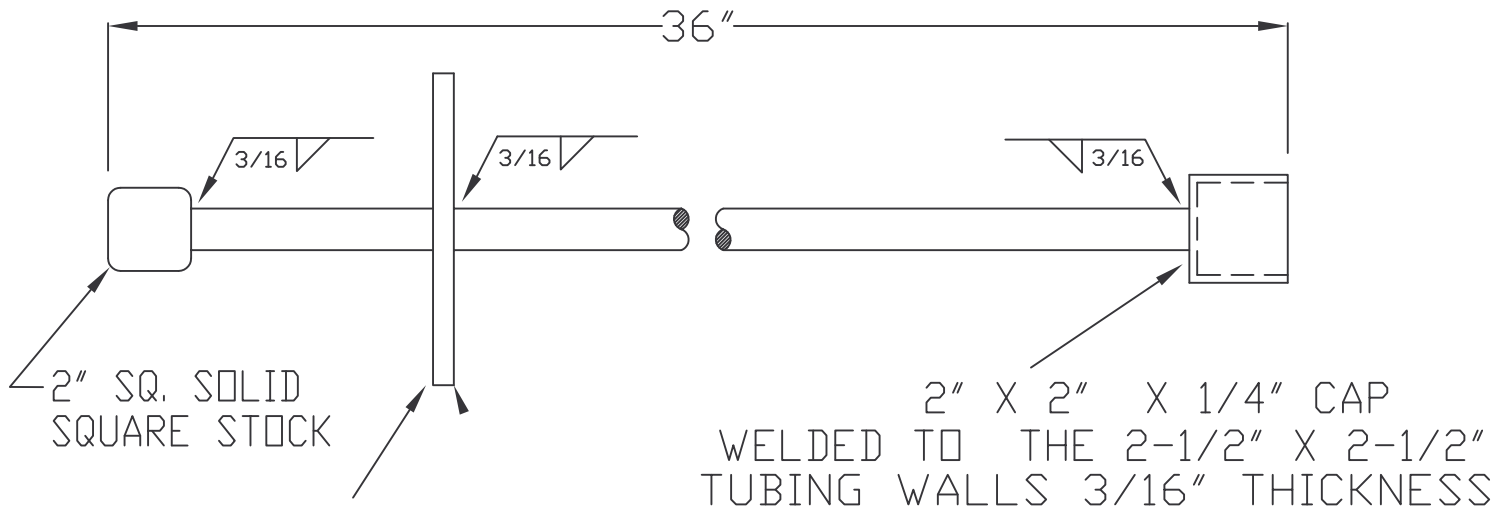


# STAINLESS STEEL VALVE STEM EXTENSIONS

Placer Waterworks, Inc.  
1325 Furneaux Road  
Plumas Lake, CA. 95961  
(530) 742-9675



4-1/2" x 1/4"  
CENTERING RING

EXTENSION SHAFT MATERIAL 304 1-1/4" Dia x 36" Long