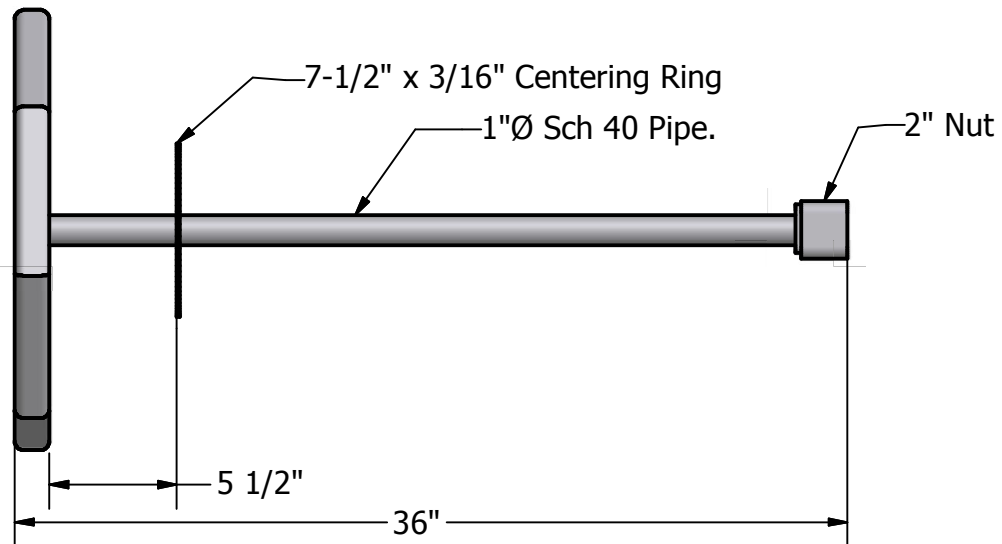
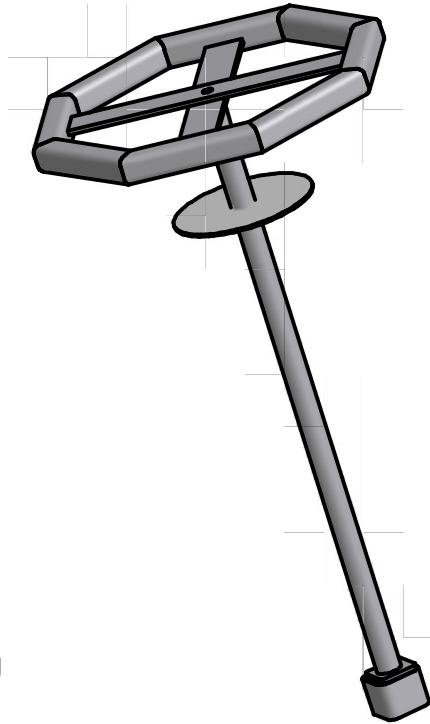
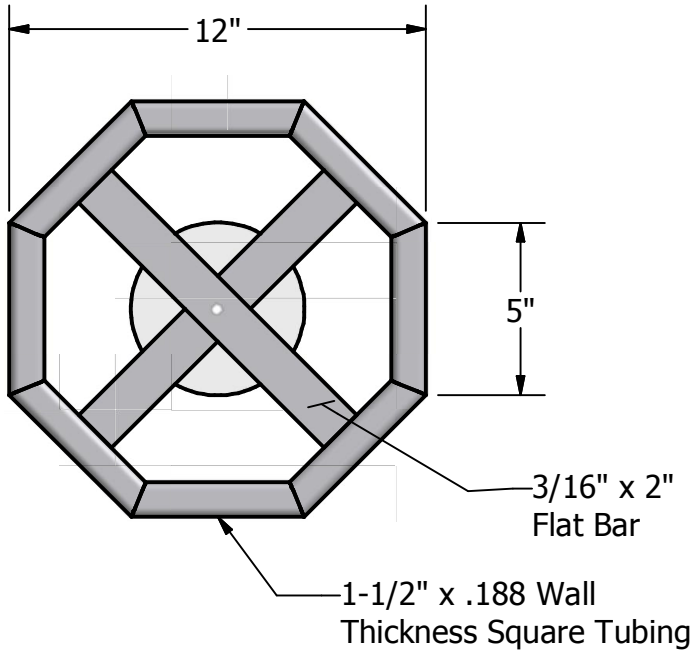


2 1

36" Valve Ext - w/Operator Wheel

Placer Waterworks Inc.

1325 Furneaux Road
Plumas Lake, CA. 95961
(530) 742-9675



A A

NOTE:

1. All welding done per AWS Specifications
2. All parts to be painted Black after fabrication.

This drawing must be signed and returned to Placer Waterworks Inc. when order is placed and before work is started.

3/31/2009

CAT#:Custom: Valve Ext

2 1