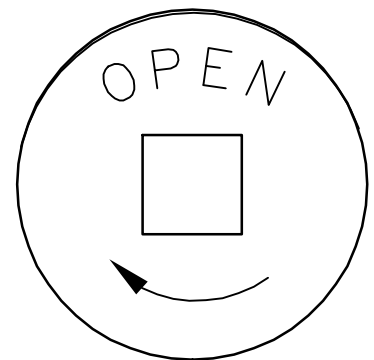
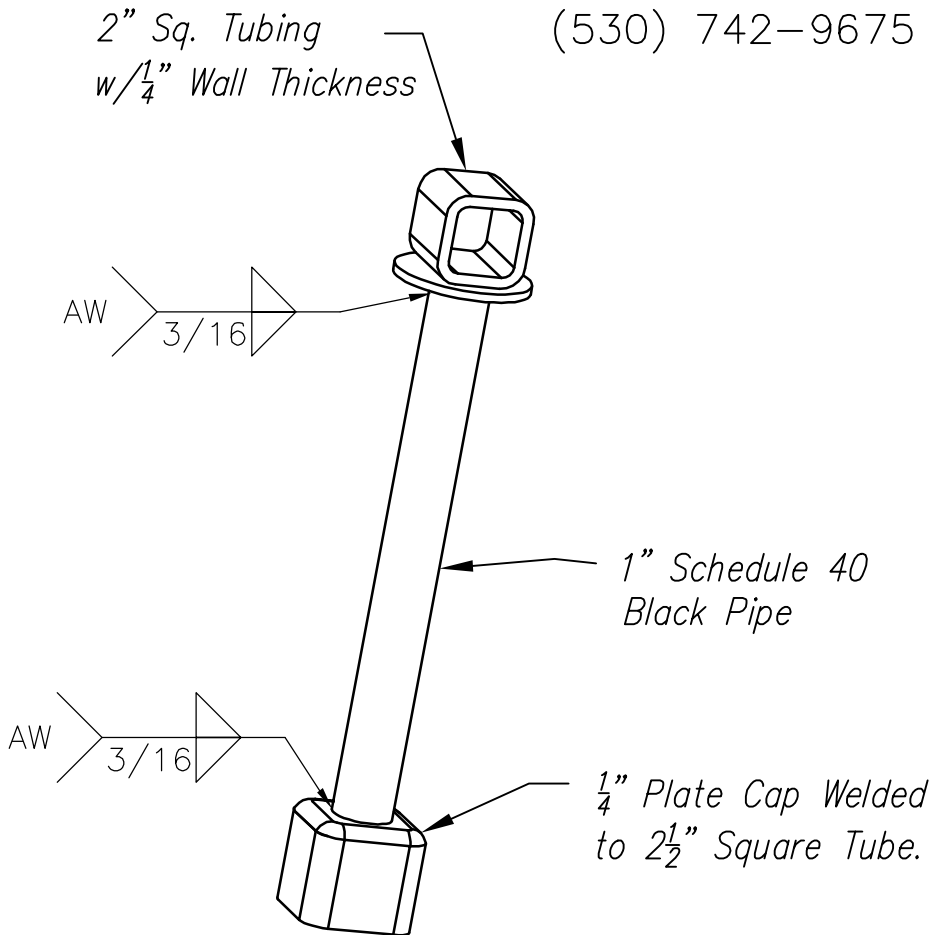


VALVE STEM EXTENSION

Placer Waterworks, Inc.
1325 Furneaux Road
Plumas Lake, CA. 95961
(530) 742-9675



Removable $7\frac{1}{2}$ " Dia. Ring
w/Directional Arrow and
 $1\frac{1}{2}$ " Tall Lettering

** Valve Extension To Be
Placer Waterworks Inc.
Product PW/VE-SAC or Equal.

** Extention Scrubbed &
Cleaned w/Metal Cleaners
Before Enamel Corrosion
Protection of $48\% \pm$ Solids.

NOTE:
Valve Open Directions Specific to:
South of Sacramento River Clockwise
North of Sacramento River Counter Clockwise
All Extensions To Be With in 12" of grade Level.

CAT# PW/VE-SAC