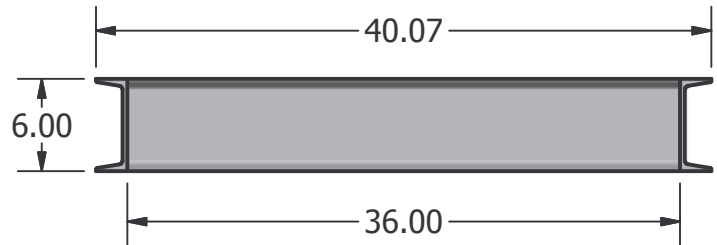
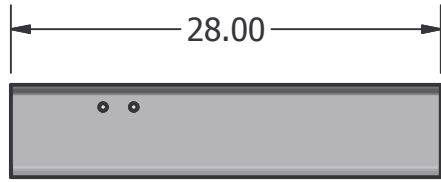


2 ↓ 1

# Aluminum - 24" x 36" Electrical Vault Cover *Placer Waterworks Inc.*

1325 Furneaux Road  
Plumas Lake, CA. 95961  
(530) 742-9675



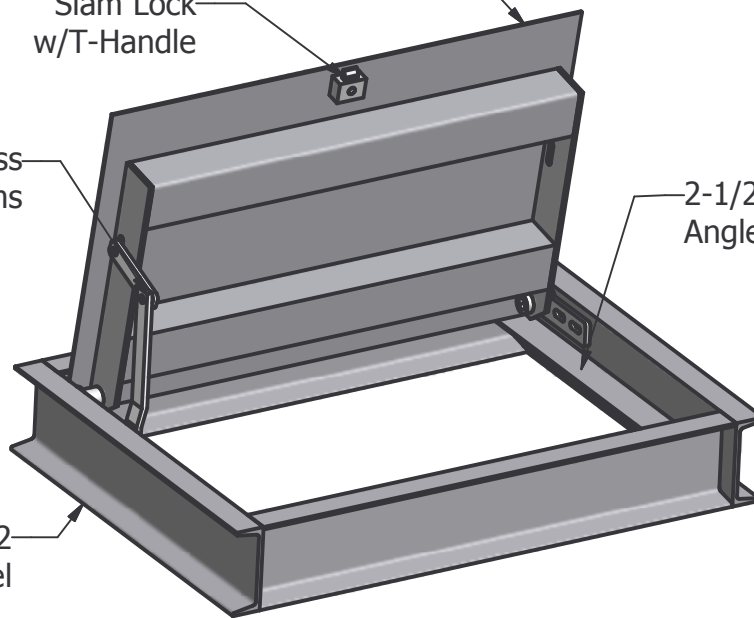
Aluminum Diamond Plate Door w/TSA

Slam Lock w/T-Handle

Self Locking Stainless Steel Safety Arms

2-1/2" x 2-1/2" x 1/4" Angle Iron Shelf

CIP Frame - 6" x 3.62" Aluminum Channel



**NOTE:**

1. Loading: Ocasional H-20
2. "Cast-in-Place" Frame stype
3. All Sluminum Pars to be 6061-T6
4. All Welding done per AWS Specifications.
5. Doors are Hinged w/Torsion Assist.

This drawing must be signed and returned  
returned to Placer Waterworks Inc. when  
order is placed and before work is started.

6/22/2009

CAT#:Custom:24" x 36" Vault Cover