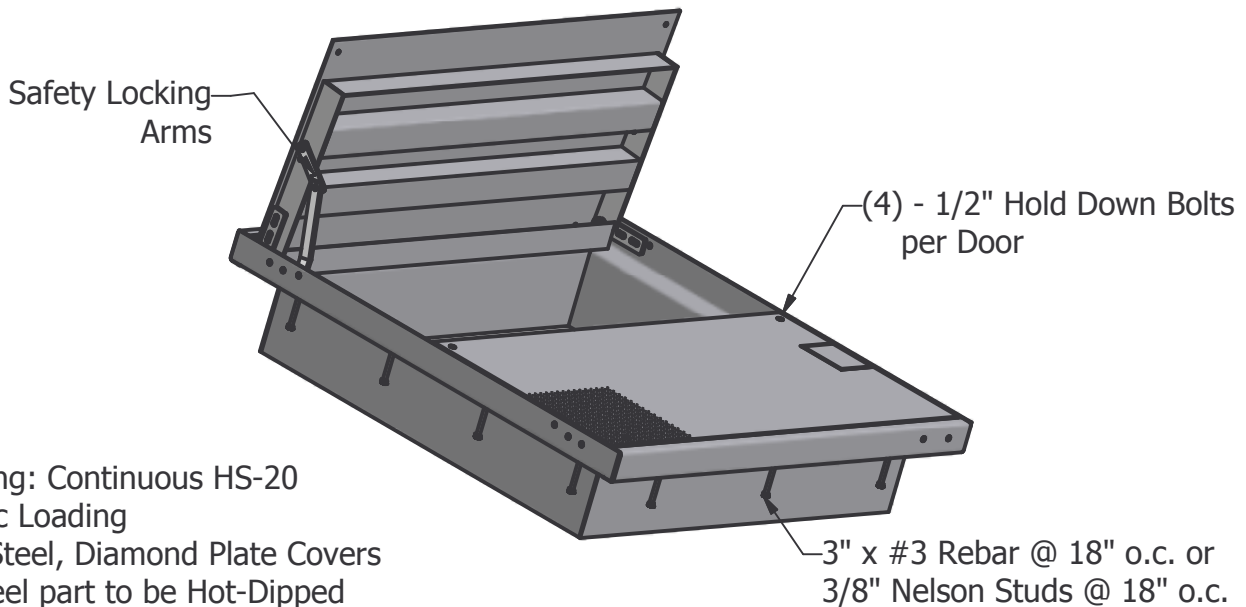
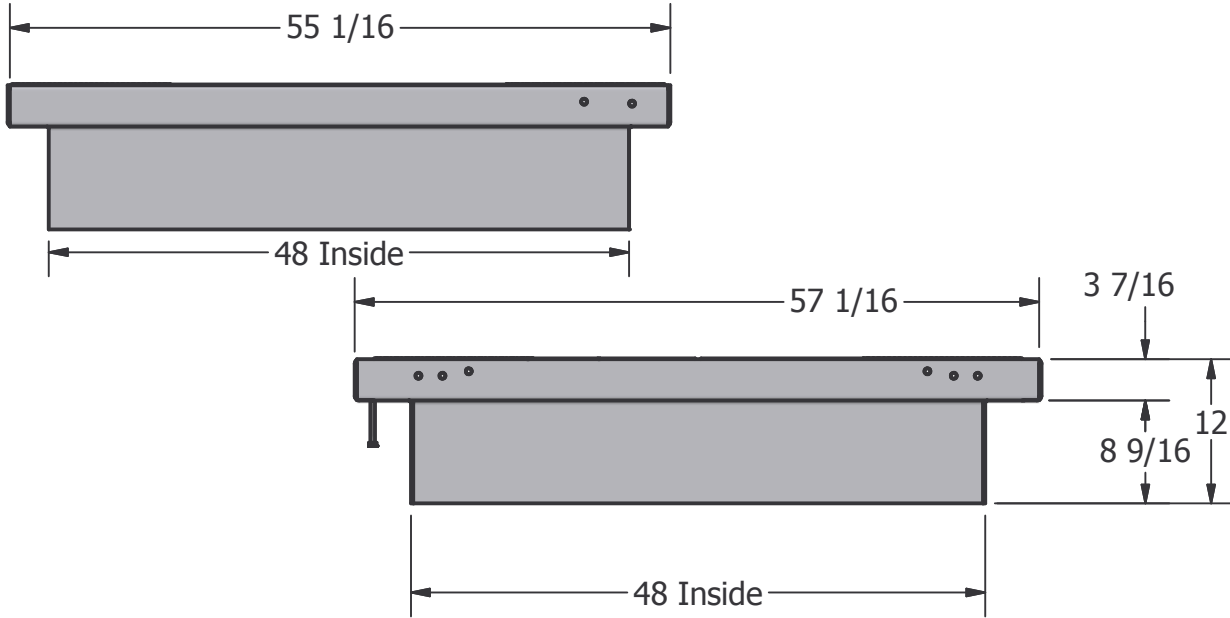


Cast-In-Place Vault Cover *Placer Waterworks Inc.*

1325 Furneaux Road
Plumas Lake, CA. 95961
(530) 742-9675



NOTE:

1. Loading: Continuous HS-20 Traffic Loading
 2. $\frac{1}{4}$ " Steel, Diamond Plate Covers
 3. All Steel part to be Hot-Dipped Galvanized before final assembly.
 4. Recessed Padlock Hasp
 5. "Cast-in-Place" style frame.
 6. Clear Opening
 7. Bolt down at 4 locations
 8. Doors are Hinged w/ Torsion Assist
 9. 12" Skirt around frame.
- CAT#:Custom:Vault 48" x 72" (I.D)

This drawing must be signed and returned to Placer Waterworks Inc. when order is placed and before work is started.

4/22/2009