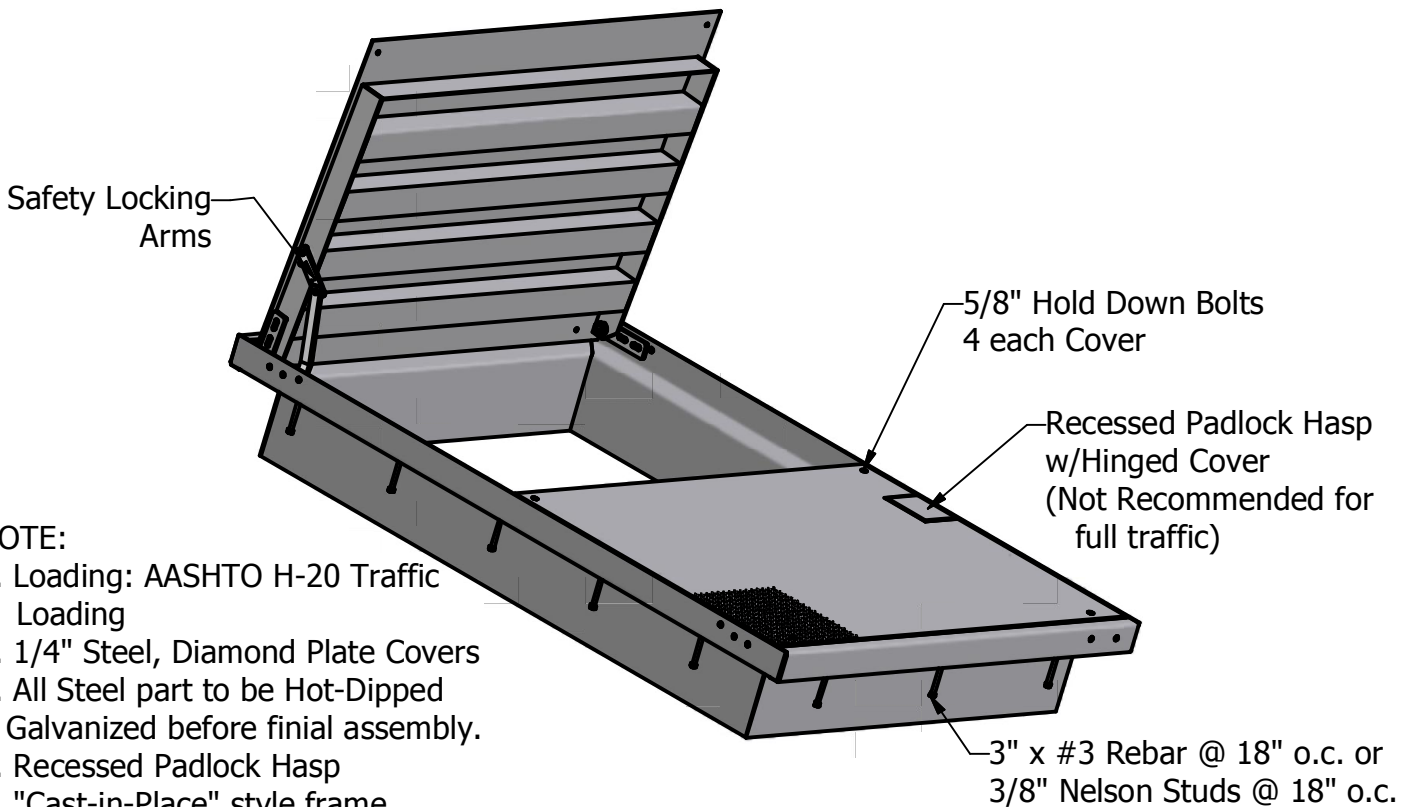
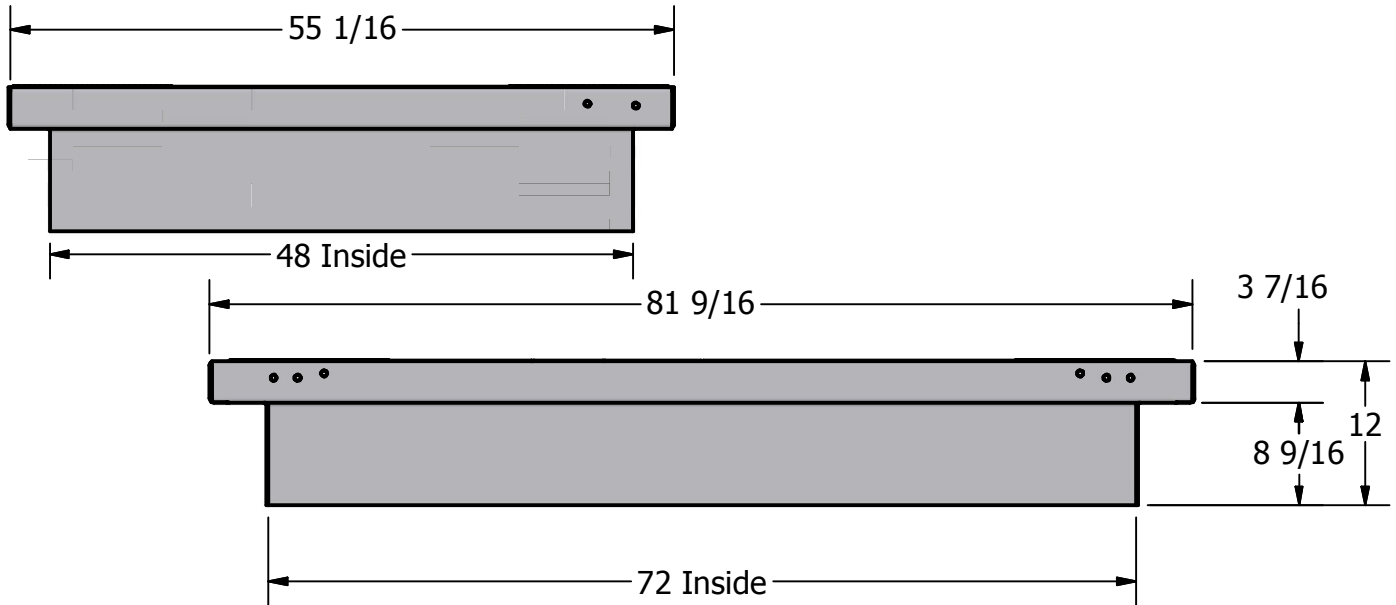


Cast-In-Place Vault Cover

Placer Waterworks Inc.

1325 Furneaux Road
 Plumas Lake, CA. 95961
 (530) 742-9675



NOTE:

1. Loading: AASHTO H-20 Traffic Loading
2. 1/4" Steel, Diamond Plate Covers
3. All Steel part to be Hot-Dipped Galvanized before final assembly.
4. Recessed Padlock Hasp
5. "Cast-in-Place" style frame.
6. Clear Opening
7. Bolt down at 8 locations
8. Doors are Hinged w/ Torsion Assist
9. 12" Skirt around frame.

CAT#:Custom:Vault 48" x 72" (I.D)

This drawing must be signed and returned to Placer Waterworks Inc. when order is placed and before work is started.

1/30/2009