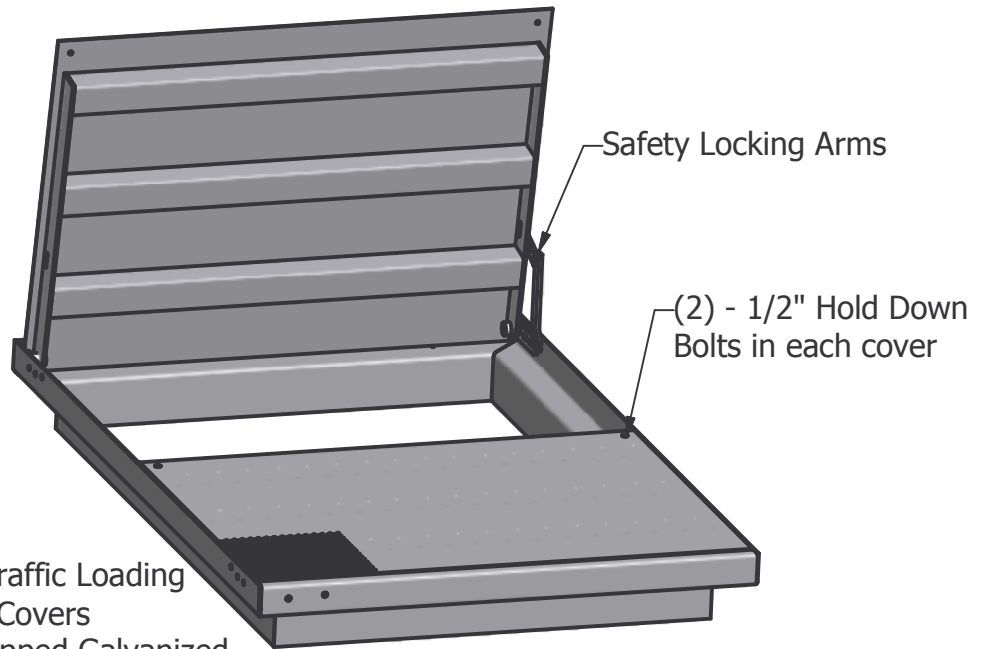
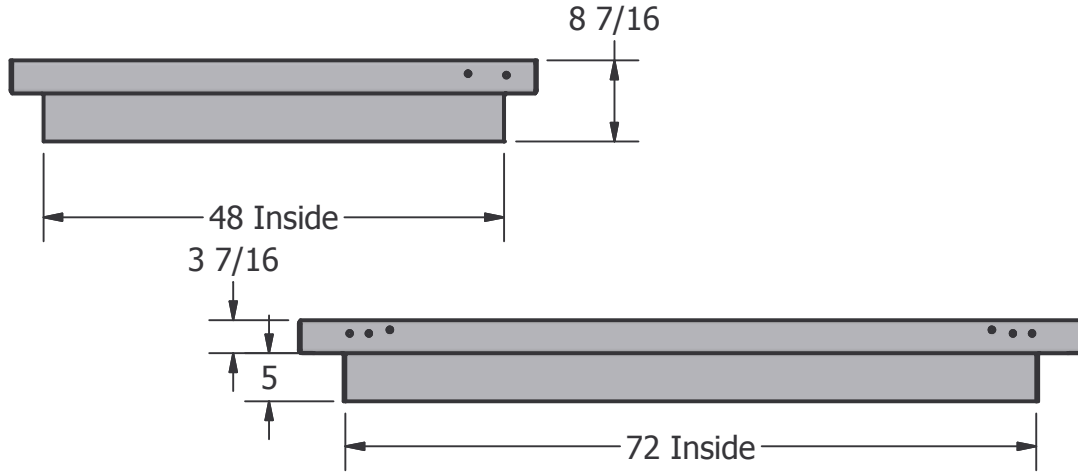


48" x 72" x CIP Vault Access Cover *Placer Waterworks Inc.*

1325 Furneaux Road
Plumas Lake, CA. 95961
(530) 742-9675



NOTE:

1. Loading: Ocasional H-20 Traffic Loading
2. 1/4" Steel, Diamond Plate Covers
3. All Steel parts to be Hot-Dipped Galvanized before finial Assembly.
4. "Cast-in-Place" style frame
5. Clear Opening
6. Bolt down at 4 locations
7. Doors are Hinged w/Torsion Assist.
8. 12" Skirt around frame.

This drawing must be signed and returned
returned to Placer Waterworks Inc. when
order is placed and before work is started.

7/27/2009

CAT#:Custom: 48x72xCIP VAC