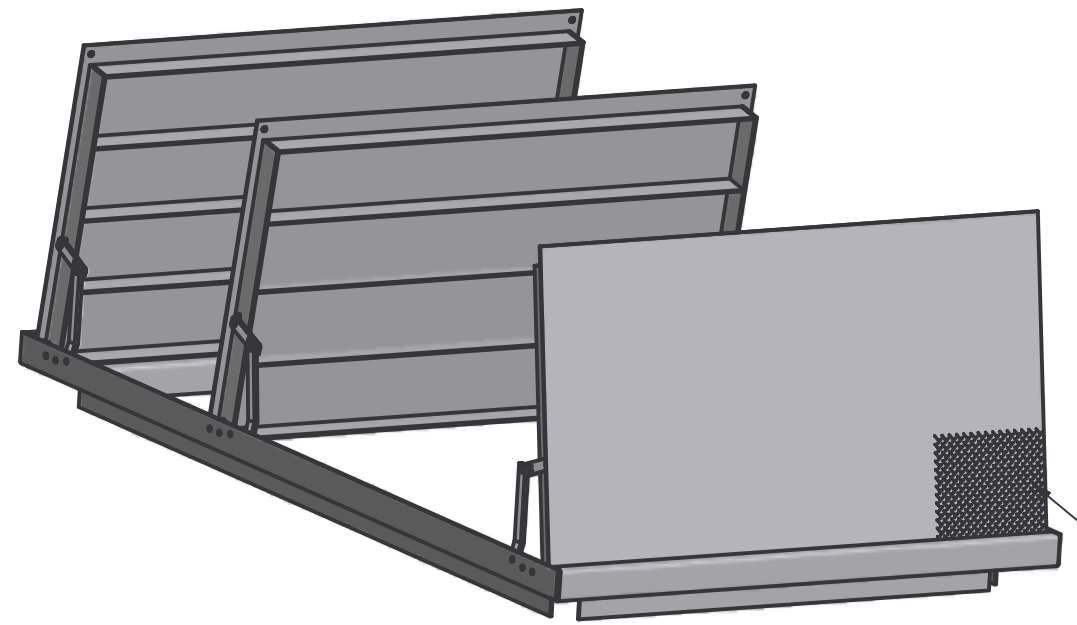
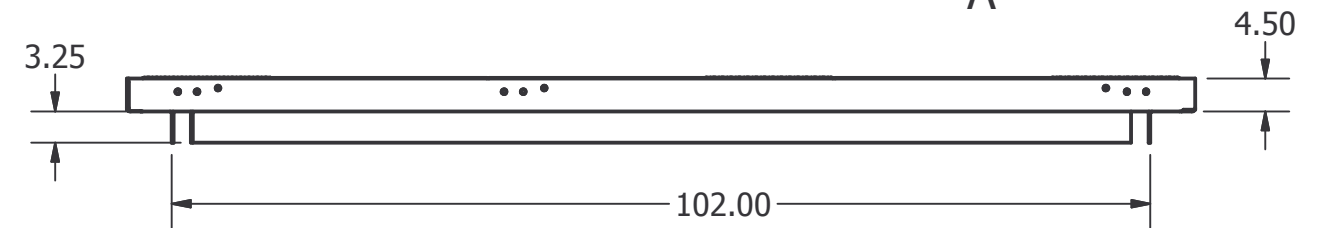
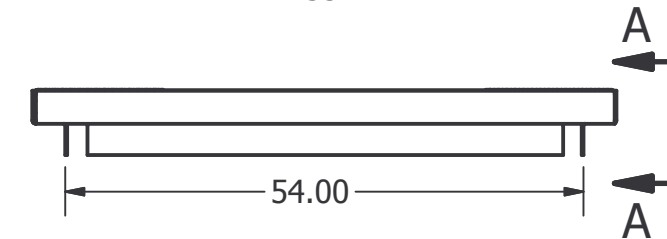
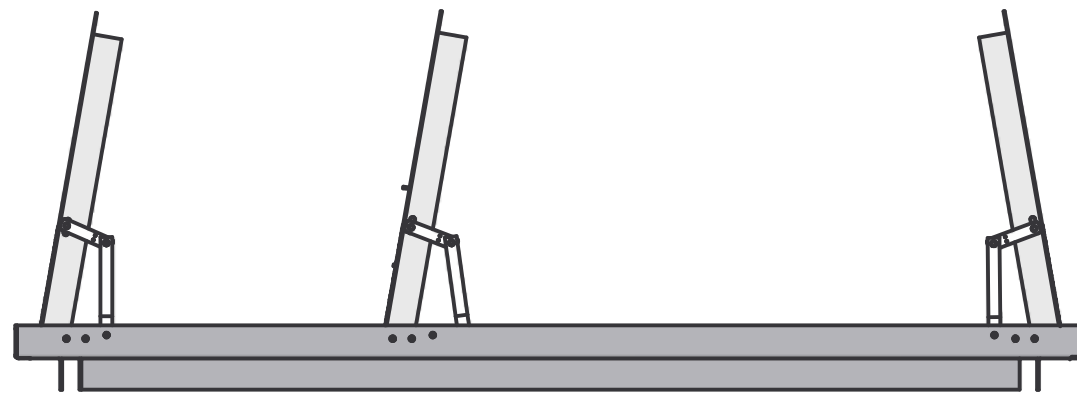
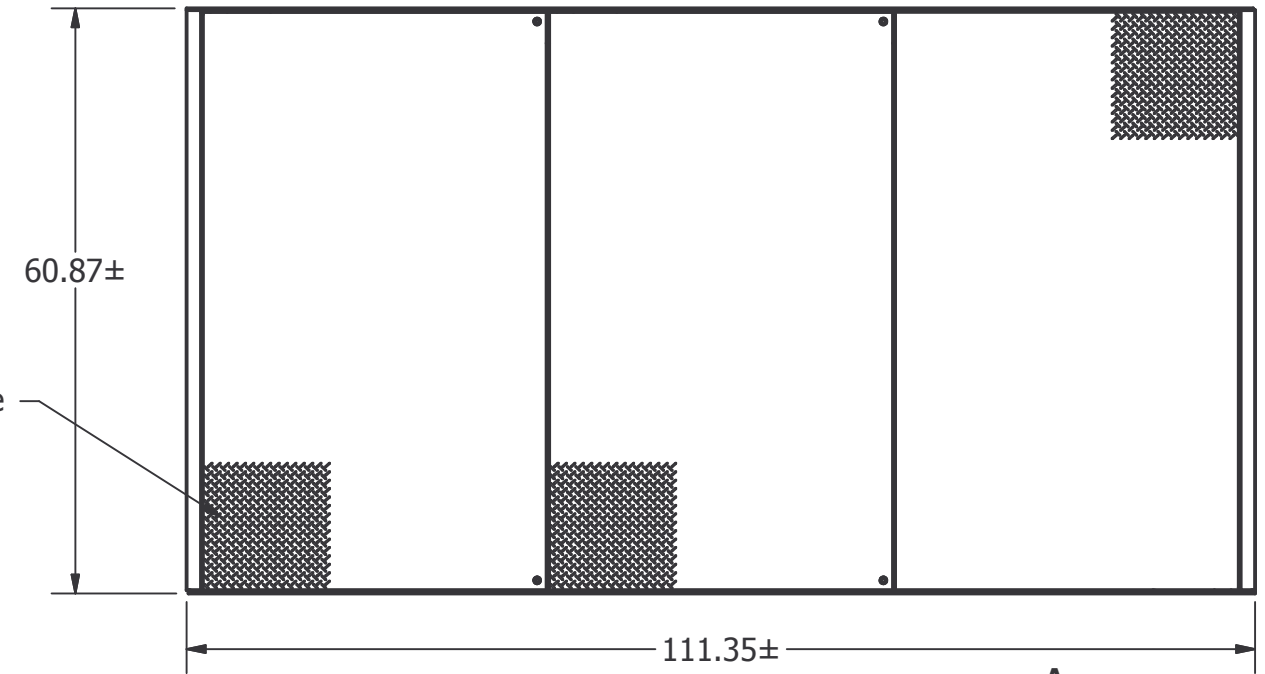


3 Door Vault *Placer Waterworks Inc.*

1325 Furneaux Road
Plumas Lake, CA. 95961
(530) 742-9675



Aluminum Floor Plate



VIEW A-A

NOTE:

1. Triple leaf Door System, Aluminum Cover with Spring Assisted Hinges and Locking Bolts for Security.
2. All Foundation Framework Material is 3/16" Plate ASTM A-36
3. Frame Corrosion Protection is Devran 224HS Catalyzed Ploymide Epoxy (75" Solids by Volume)
- 4 Top Deck material is 1/4" Aluminum Floor Plate Grade 6061-T6
5. Torsion Assist Feature (Placer Waterorks Inc. Exclusive) See Details
6. All Welding done per AWS Specifications.