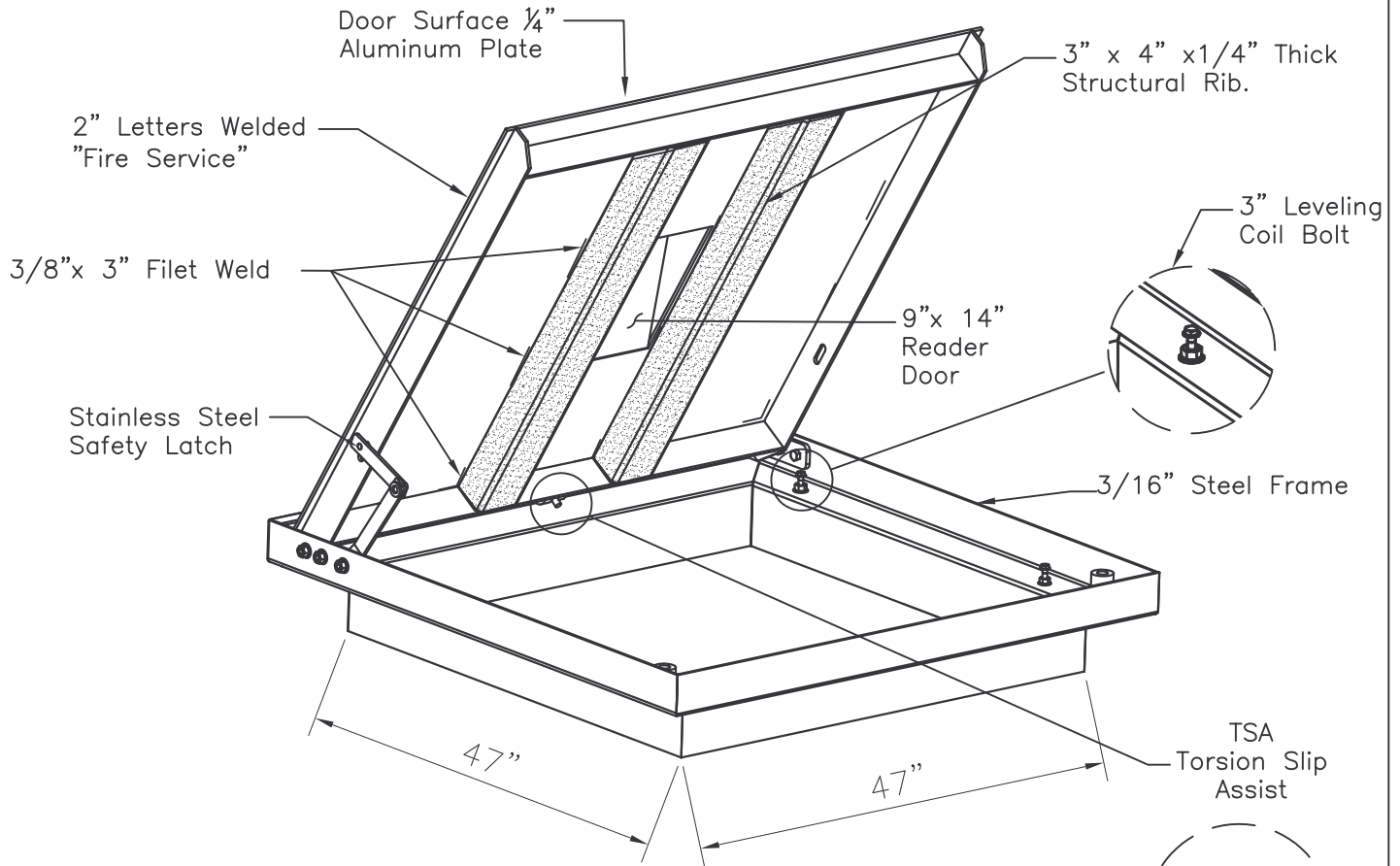


INCIDENTAL TRAFFIC RATED ALUMINUM VAULT COVER

Placer Waterworks, Inc.
9522 Antelope Oaks Court
Roseville, CA 95747
(916) 773-2959



NOTE:

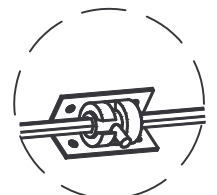
It Required 18,000 lbs to obtain a $\frac{1}{2}$ " Deflection. When the 9 Tons was removed $\frac{1}{16}$ of an Inch permanent Deflection was realized.

*TSA Spring Steel Torsion has life time replacement warranty.

*Door Surface is $\frac{1}{4}$ " Diamond Floor Plate Grade 6061-T6.

* $\frac{3}{8}$ " Structural Filet Welds, 3" Long in four locations on each side of Supporting Ribs and Rails.

*Bolt Down Security is $\frac{3}{8}$ " x 2" Stainless Steel Penta Head fasteners.

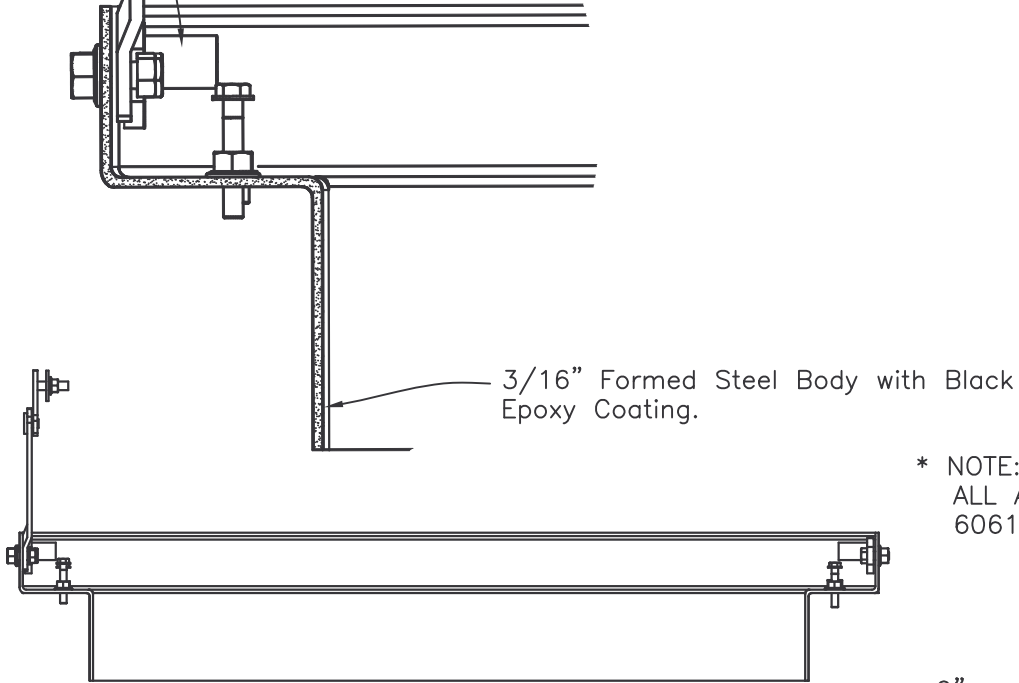


TSA
Torsion Slip
Assist

Placer Waterworks, Inc.
 9522 Antelope Oaks Court
 Roseville, CA 95747
 (916) 773-2959

1/4" Thick
 Stainless Steel
 Safety Lock
 Arm

One Inch Dia Door Axis
 Point/ Torsion Bar Holder



* NOTE:
 ALL ALUMINUM PARTS
 6061-T6 GRADE

9" x 14" Reader Door

1/4" x 3" Flatt Bar
 Door Frame

3/8" x 3" Fillet Weld
 (8) per Rib.
 Each end 3/8" all around.
 Each Rail (4) 3/8" x 3" Fillet.

1/4" Thick Diamound Floor
 Plate Door Grade 6061-T6.

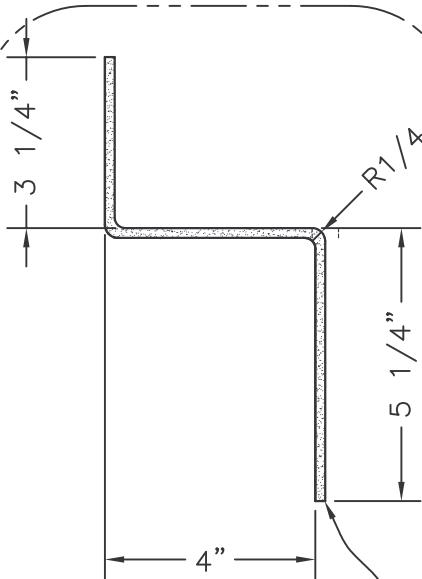
3" x 4" x 1/4"
 Formed Structural Rib

5/8" Hex Spring
 Steel Torsion Bar

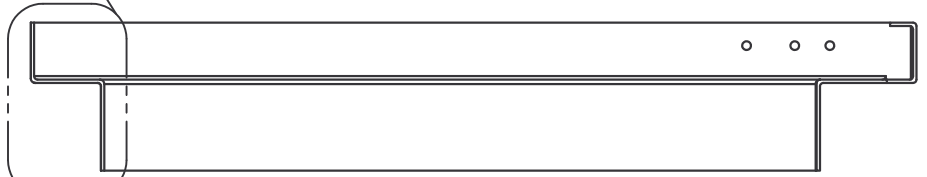
Torsion Slip
 Assist Holder

PW/R271-IB

Placer Waterworks, Inc.
 9522 Antelope Oaks Court
 Roseville, CA 95747
 (916) 773-2959



3/16" Formed Steel Body with Black Epoxy Coating.



- * Cycled 10 times @ 18,000 lbs. Received 1/32" Permanent deflection
- * Given 18,000 lbs. Load caused 1/16" Permanent Deflection.

* NOTE:
 ALL ALUMINUM PARTS
 6061-T6 GRADE

