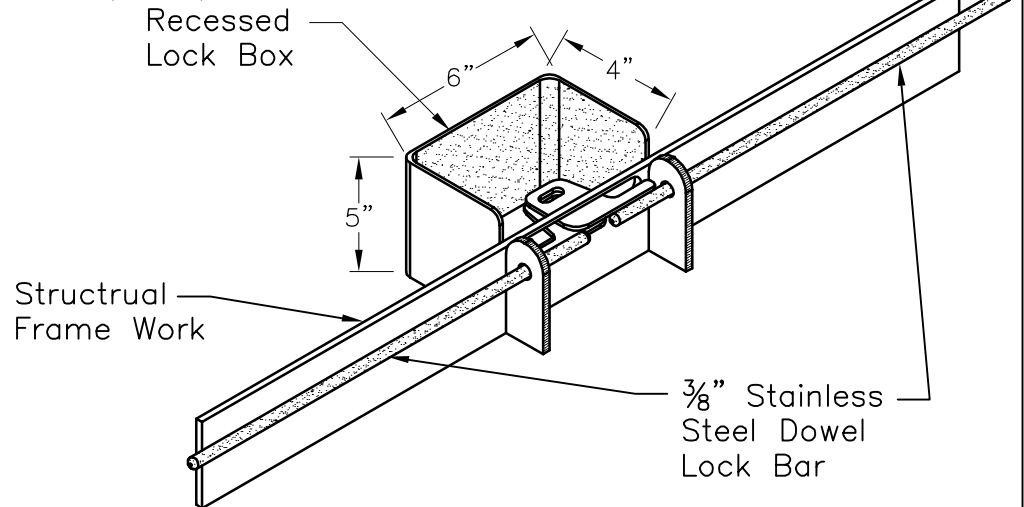
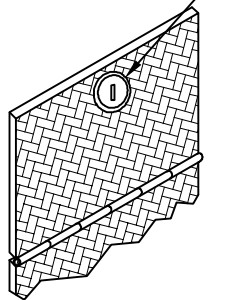


Security Locking System & Torsion Assist System

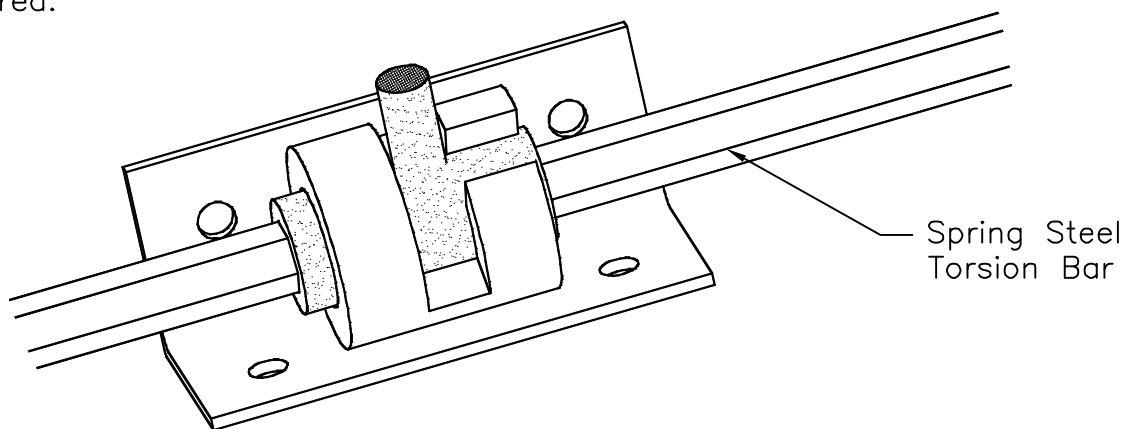
Placer Waterworks, Inc.
9522 Antelope Oaks Court
Roseville, CA 95747
(916) 773-2959

Stainless Steel
Door Latch



NOTE: (Security Locking System)

1. Removal of Padlock From Recessed Housing Releases Two $\frac{3}{8}$ " Dia. Stainless Steel Dowels From Two Maximum Strength Locations.
2. This Locking Method Is Far Superior and Easier Because "No More Bolts" Required.



NOTE: Torsion Slip Assist (T.S.A)

1. Torsion Spring Steel Hex Bar ASTM A331 90/AMS 2304 Grade Bar Size Will Vary From $\frac{3}{8}$ " to $\frac{3}{4}$ ", Depending Upon Door Size & Weight.
2. (T.S.A.) Torsion Slip Assist Stops Reversed Torsion Pressure On Spring Steel Bar When Doors Are Completely Opened Thus Eliminating Breakage of the Torsion Bar.
3. Torsion Slip Assist was developed by Placer Waterworks Inc. and found only on our covers.