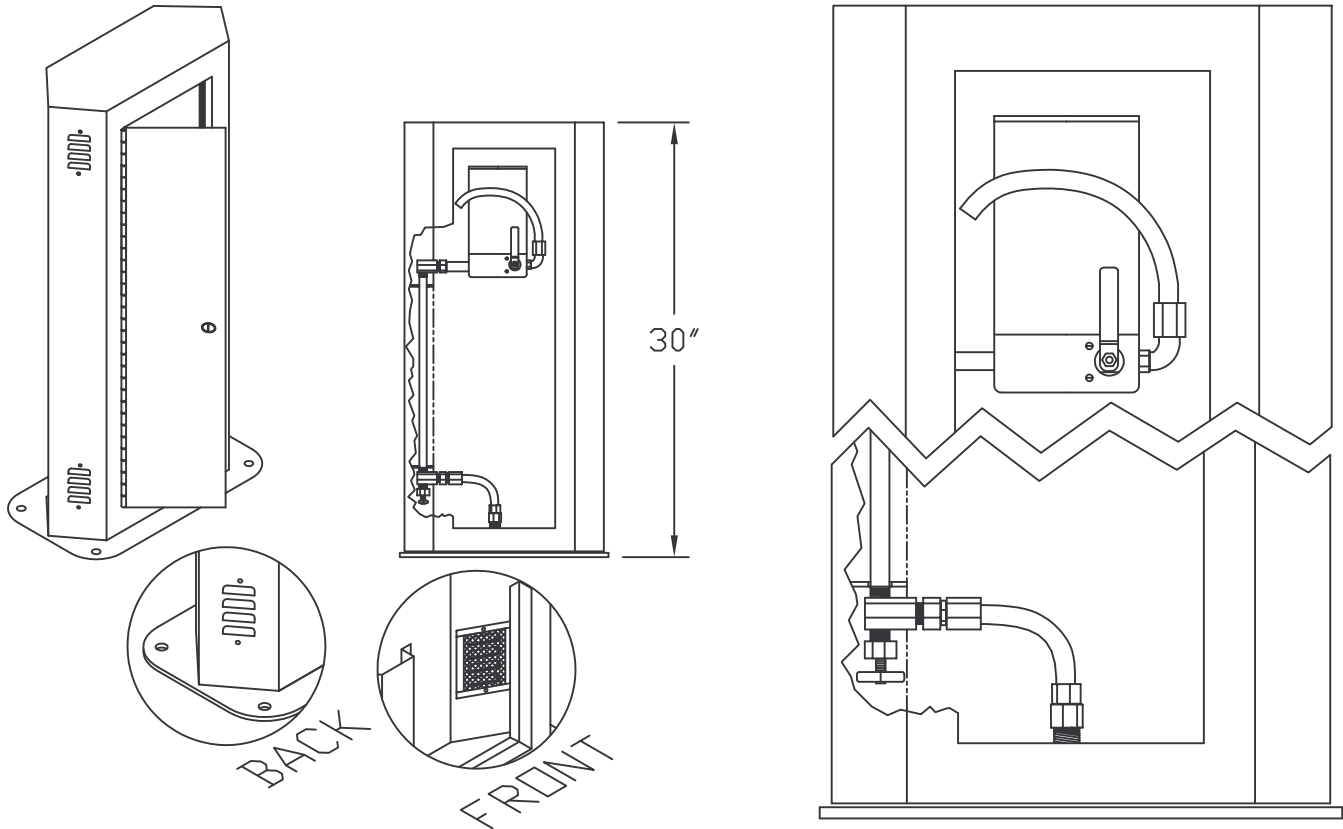


# WATER SAMPLER (DRY BARREL)

Placer Waterworks, Inc.  
1325 Furneaux Road  
Plumas Lake, CA. 95961  
(530) 742-9675



1. Constructed from 16 gage stainless steel or carbon steel.
2. Full front access makes for easy installation hook-up.
3. 3/8" minimum I.D. plumbing allows 6 gallon per minute flow @ 42 psi.
4. Water Quality plumbing fittings are ALL Brass with exception of.
  - a). Stainless Steel Swivel Spigot
  - b). Supply line is flexible Teflon lined with braided stainless steel cover.
5. Swivel spigot together with four square inches of ventilation surface keeps the interior of the cabinet dry as it should be.
6. Interior louver protection by stainless steel screen.
7. Carbon steel body & door corrosion protection is powder coated white Inside and out. If exterior color desired is other than white, color of choice coating will be urethane two part epoxy.
8. Security obtained with flush mounted keyed barrel lock.