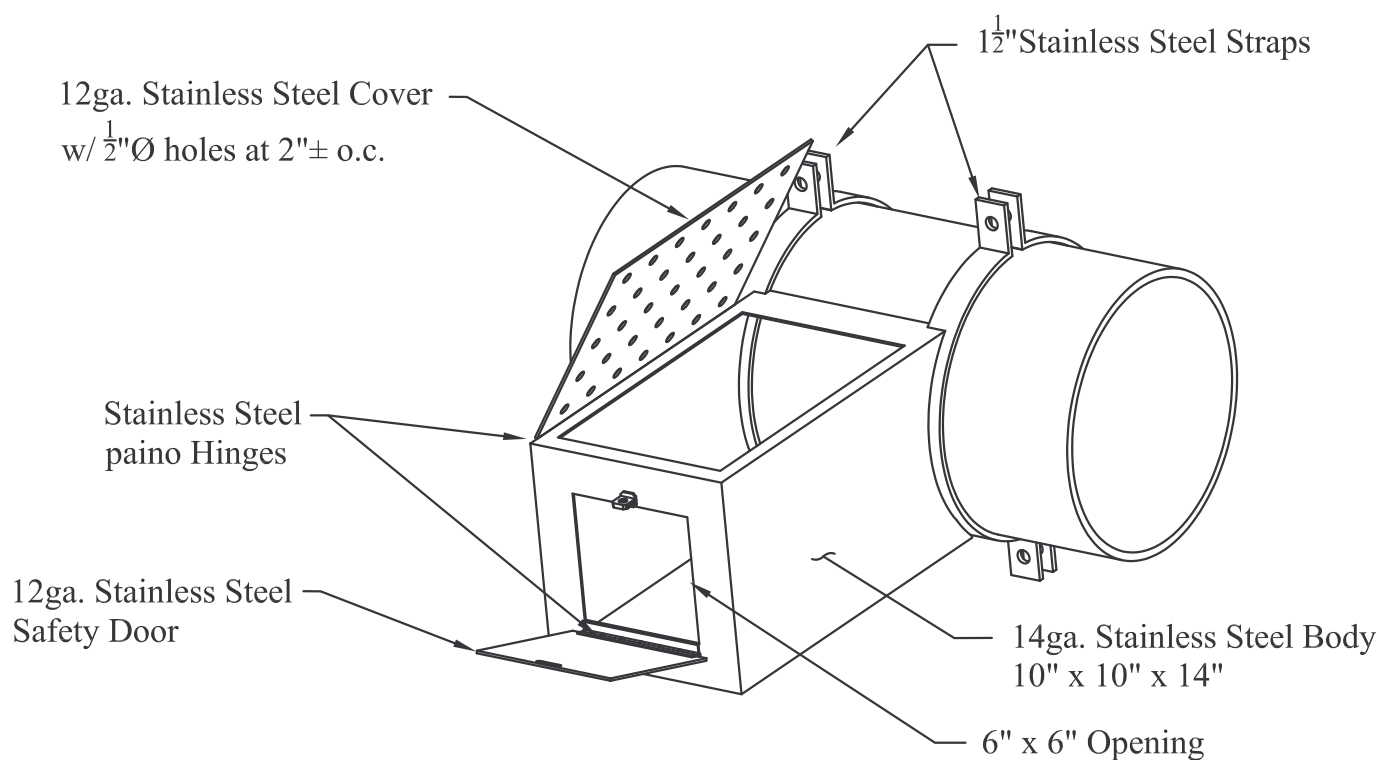


Stainless Steel Injection Pump Enclosure

Placer Waterworks, Inc.
1325 Furneaux Road
Plumas Lake, CA. 95961
(530) 742-9675



NEED NOTES

- ◆ Full 1/2" Stainless Steel Pipe Clamp Saddle.
- ◆ All Part 304 Stainless Steel
- ◆ Full Access For Service Ability.
- ◆ Outside Dimensions of Enclosure is 10" x 10" x 14"
(14" Height is from pipe clamp)

CAT# PW/Custom Enclosure