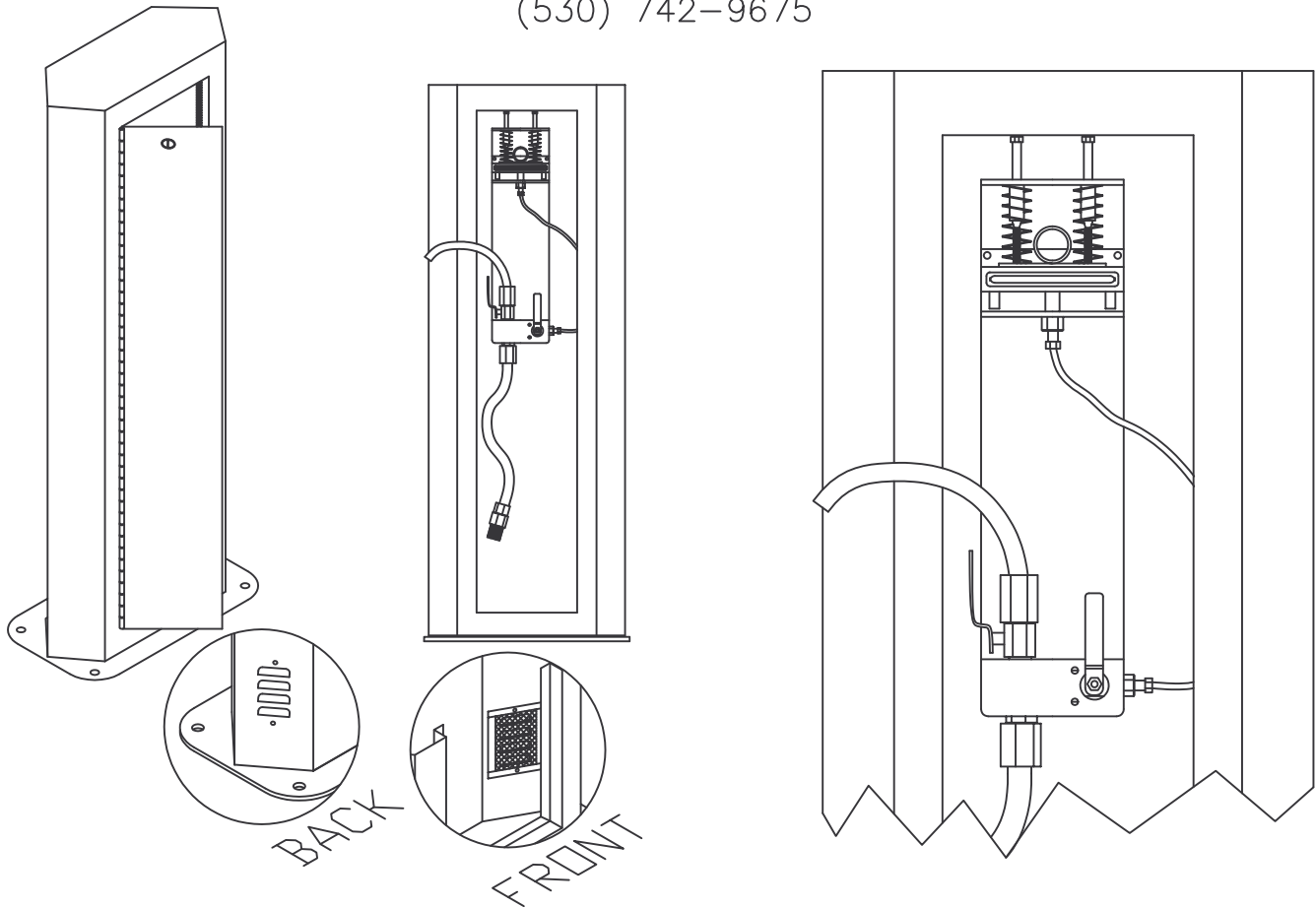


SAMPLER W/RECORDER

Placer Waterworks, Inc.
1325 Furneaux Road
Plumas Lake, CA. 95961
(530) 742-9675



1. CONSTRUCTED FROM 16 GAGE STAINLESS STEEL OR CARBON STEEL.
2. FULL FRONT ACCESS MAKES FOR EASY INSTALLATION HOOK-UP.
3. WHEN SAMPLING ACCESS ONLY IS NEEDED
4. 3/8" MINIMUM I.D. PLUMBING ALLOWS 6 GALLON PER MINUTE FLOW.
5. WATER QUALITY PLUMBING PARTS AVAILABLE IN BRASS.
6. SWIVEL SPIGOT TOGETHER WITH FOUR SQUARE INCHES OF VENTILATION SURFACE KEEPS THE INTERIOR OF THE CABINET DRY AS IT SHOULD BE.
7. INTERIOR LOUVER PROTECTION BY STAINLESS STEEL SCREEN.
8. CARBON STEEL BODY EPOXY PRIMERED THEN URETHANE EPOXY FINISH COATS IN TWO COLORS.
(BEIGE INTERIOR / HUNTER GREEN EXTERIOR)
9. SECURITY OBTAINED WITH FLUSH MOUNTED KEYED BARREL LOCK.
10. PRESSURE RECORDER HOLDER IS SPRING LOADED FOR EASY DISCONNECTION AND REMOVAL.

PW/TSR-B

9/25/03